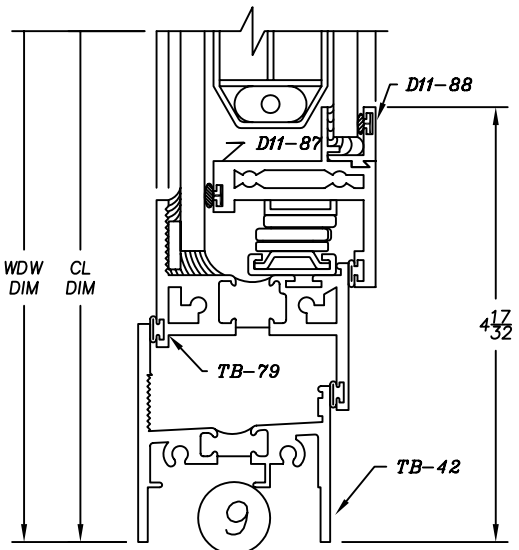
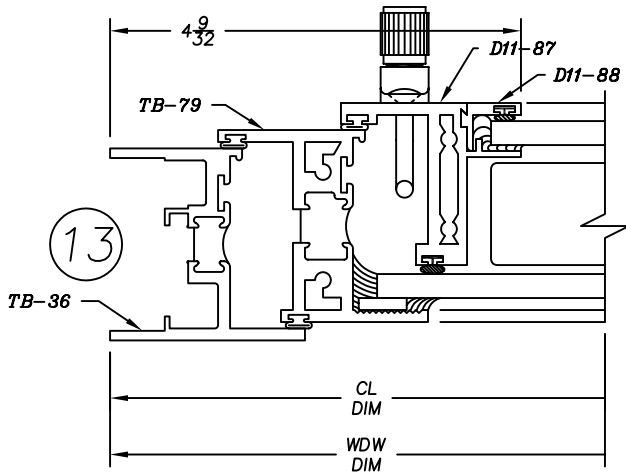
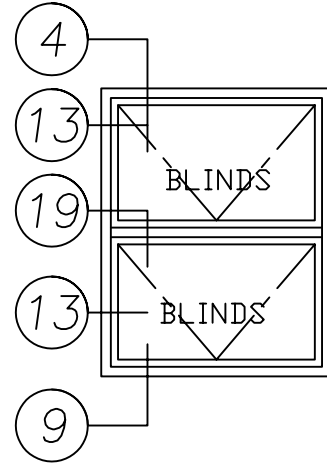
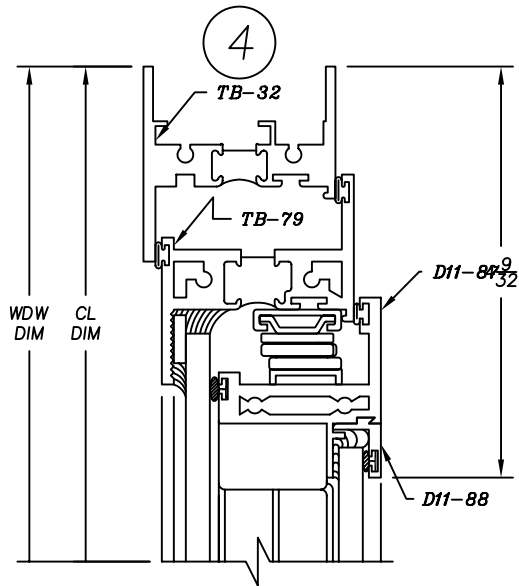


# 1175 Series

2" Heavy Commercial  
Thermally Improved Blind Window



19

