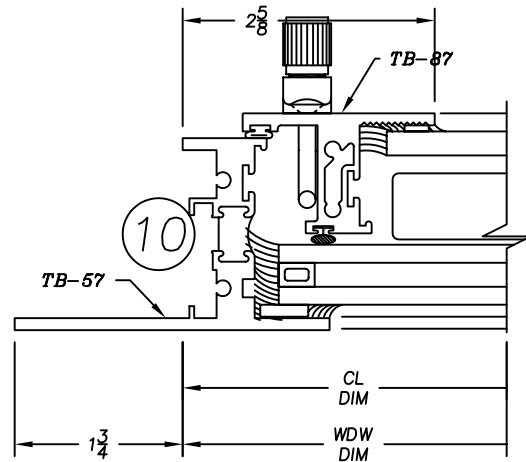
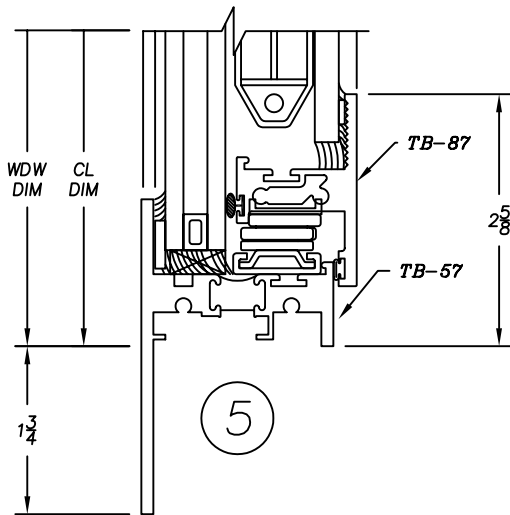
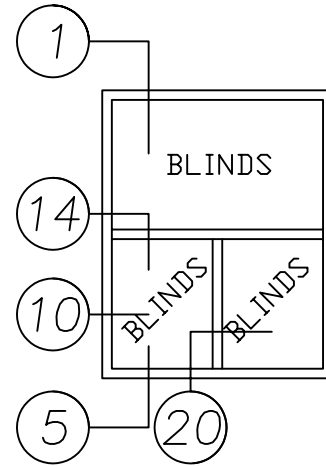
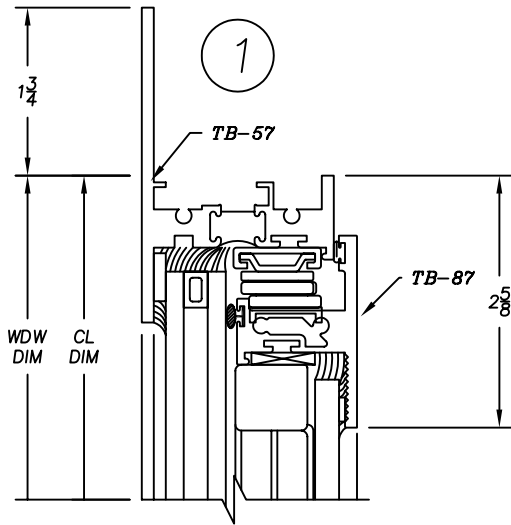
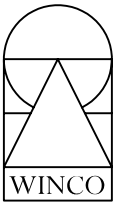


1185 Series

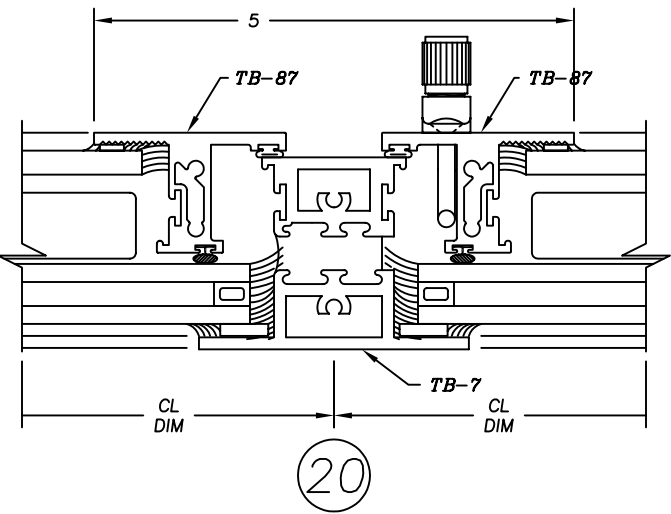
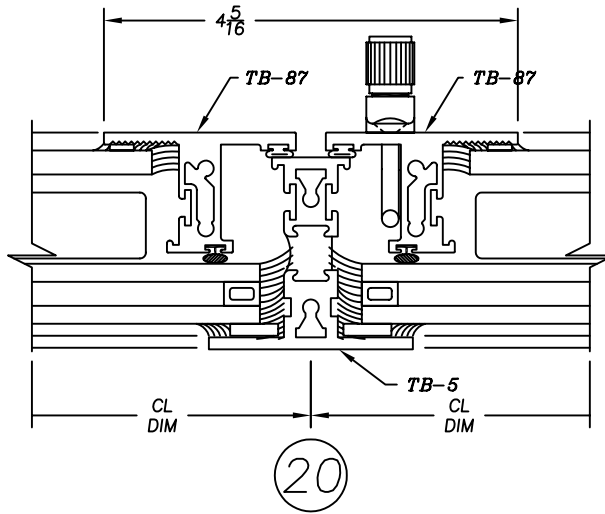
2" Heavy Commercial
Thermally Improved Blind Window





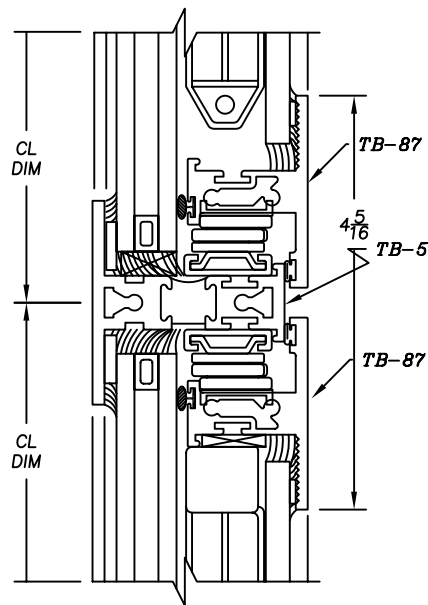
1185 Series

2" Heavy Commercial
Thermally Improved Blind Window



HEAVY RAIL

14



14

HEAVY RAIL

