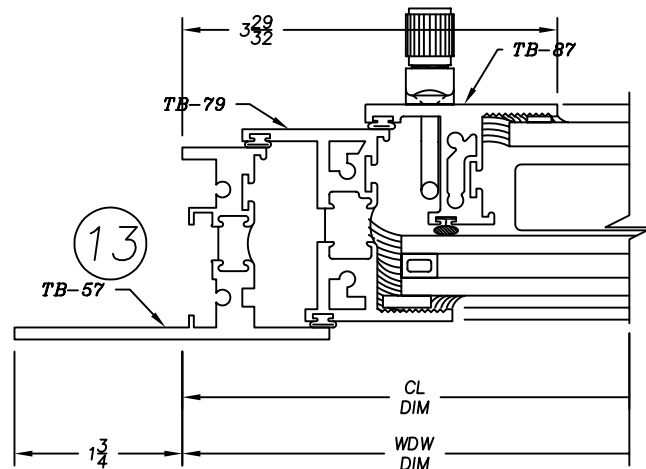
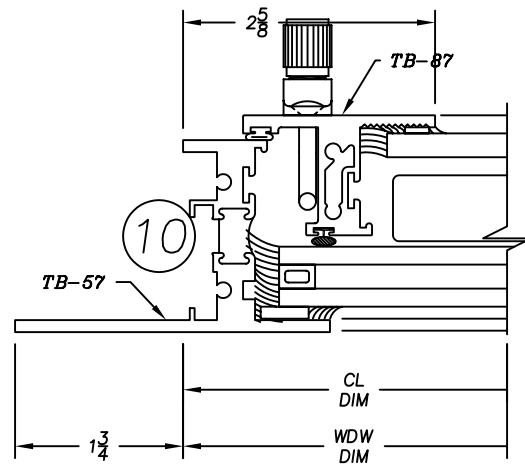
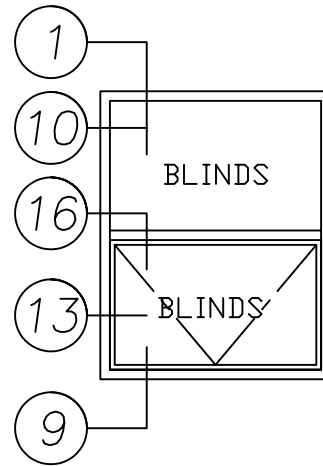
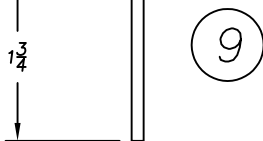
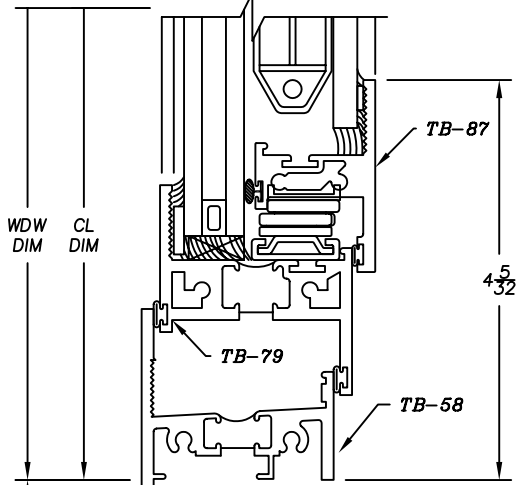
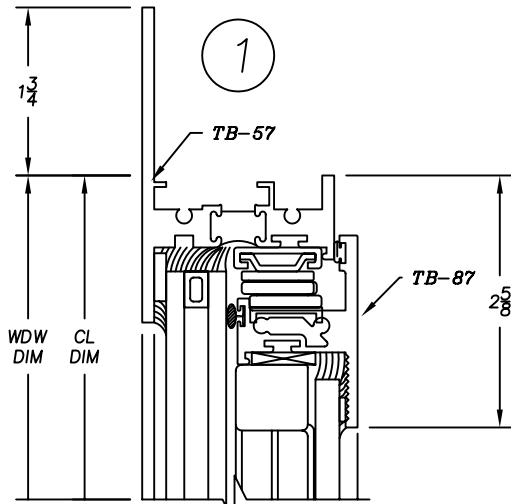
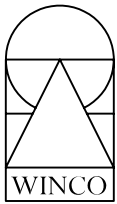


1185 Series

2" Heavy Commercial

Thermally Improved Blind Window





1185 Series

2" Heavy Commercial
Thermally Improved Blind Window

