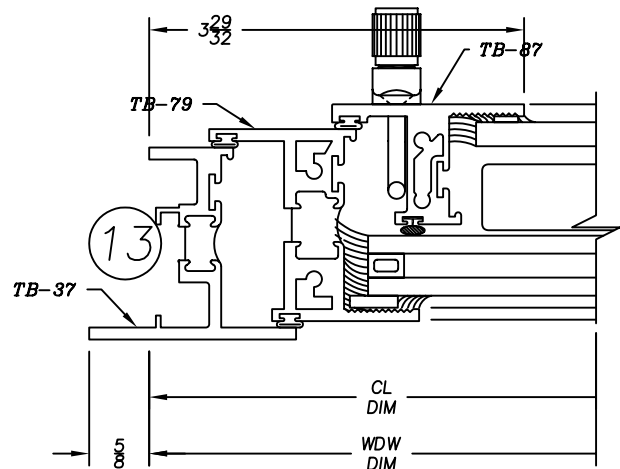
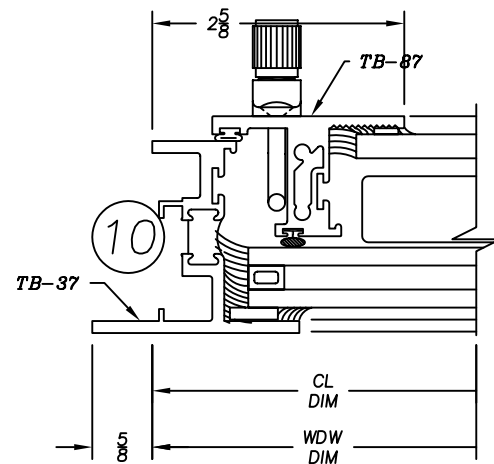
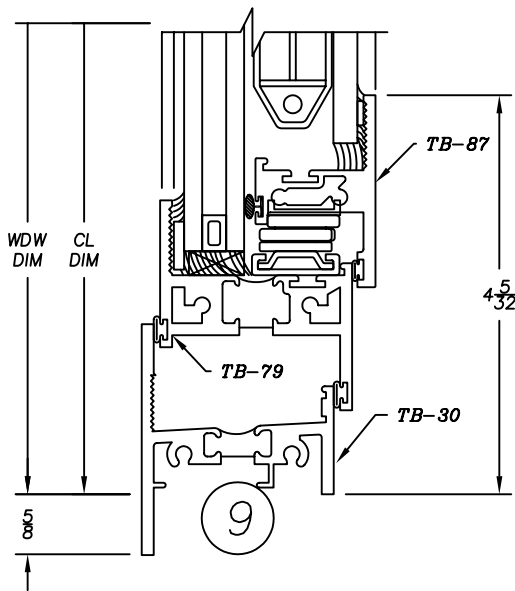
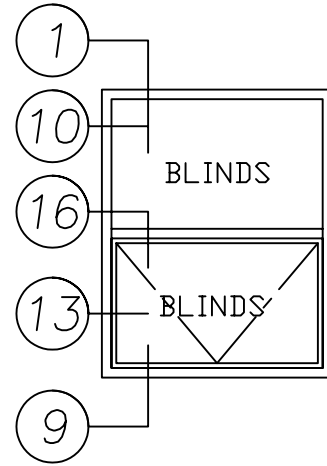
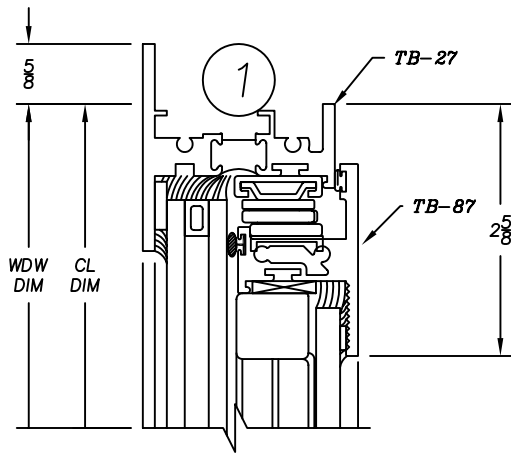
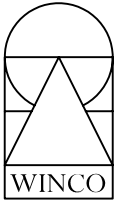


# 1185 Series

2" Heavy Commercial  
Thermally Improved Blind Window





# 1185 Series

2" Heavy Commercial  
Thermally Improved Blind Window

