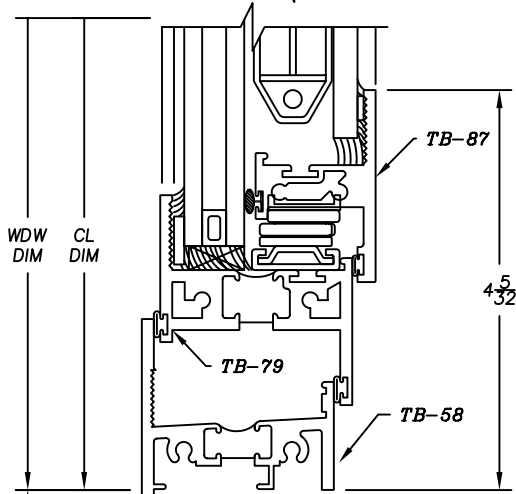
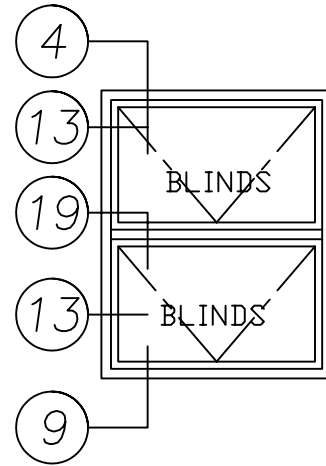
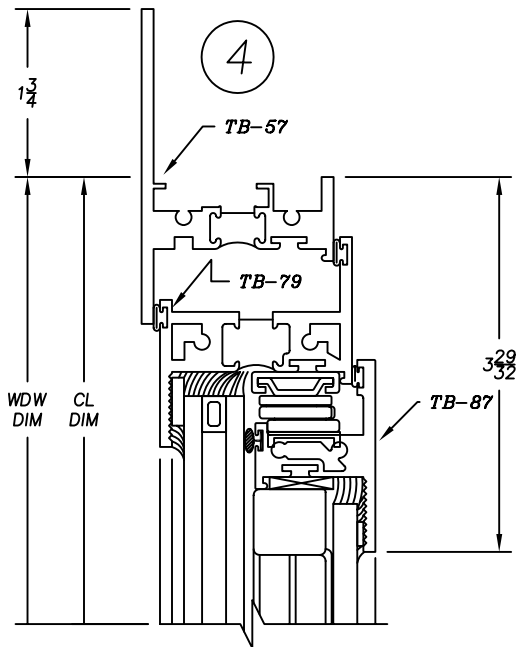


1185 Series

2" Heavy Commercial
Thermally Improved Blind Window



19

