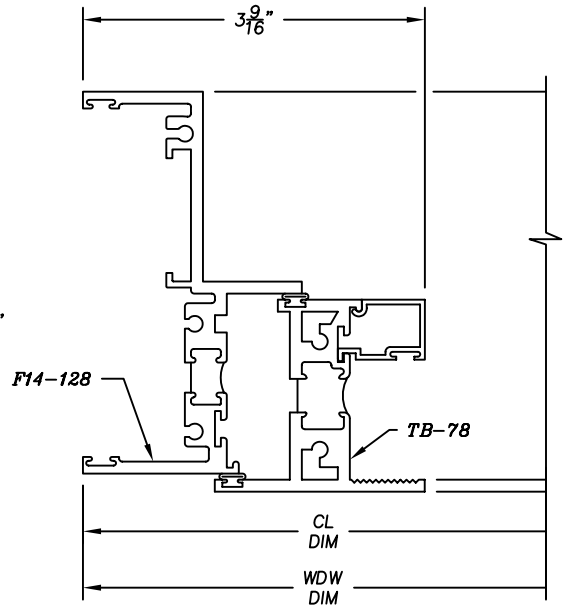
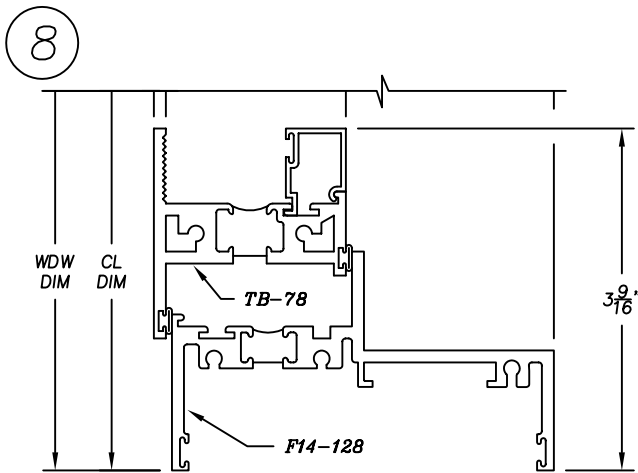
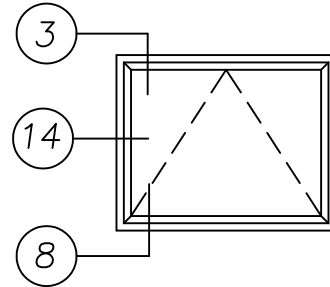
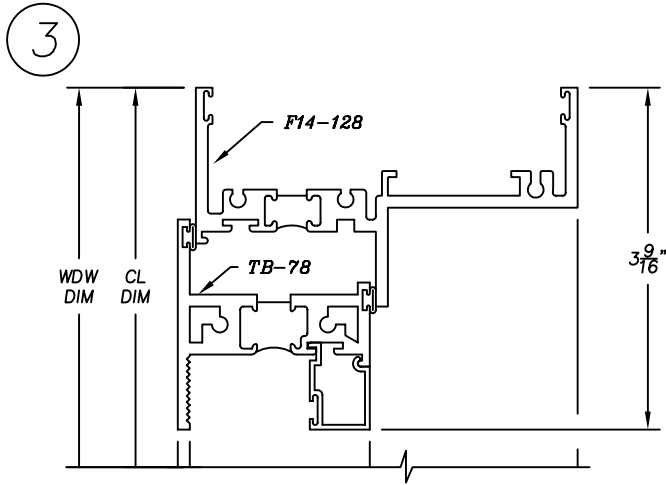


1450H Series

4" Heavy Commercial
Thermally Improved Window



14