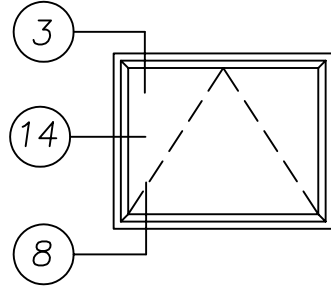
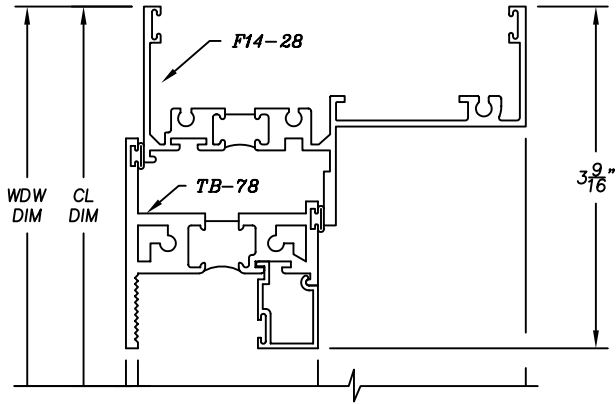


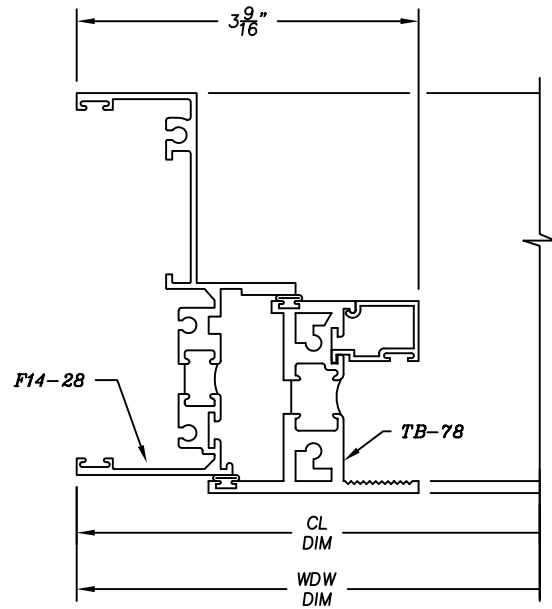
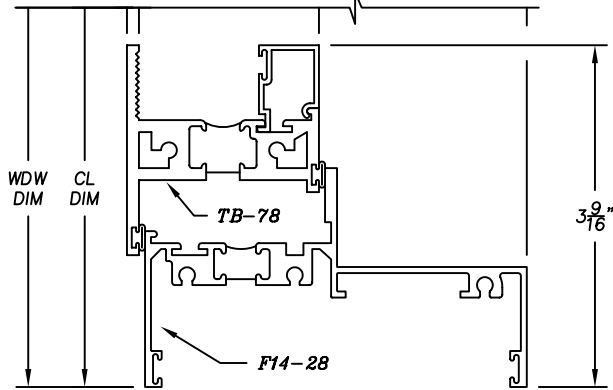
1450L Series

4" Heavy Commercial
Thermally Improved Window

3



8



14