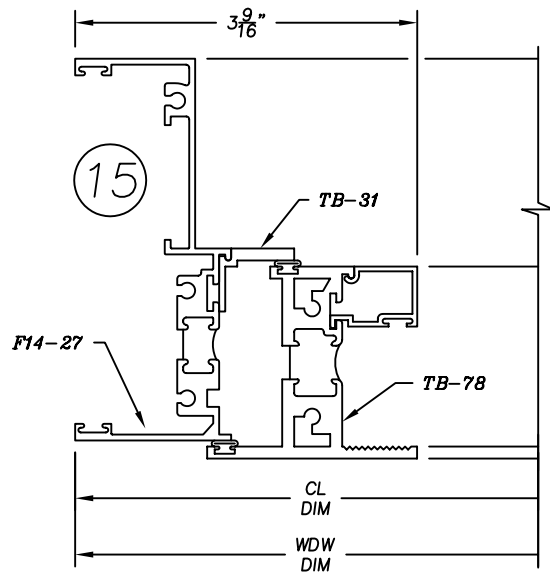
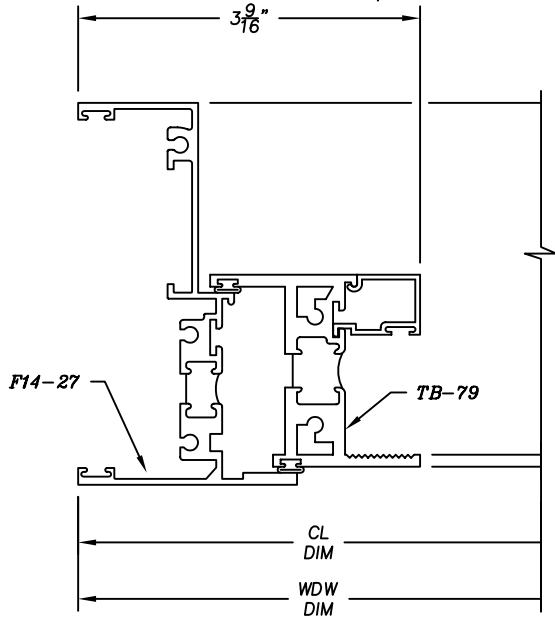
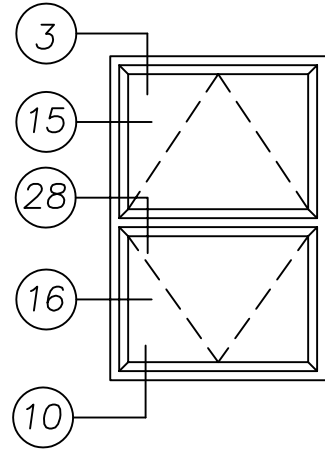
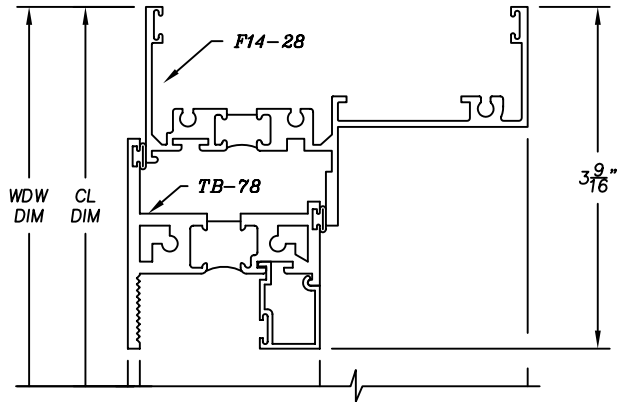


1450L Series

4" Heavy Commercial

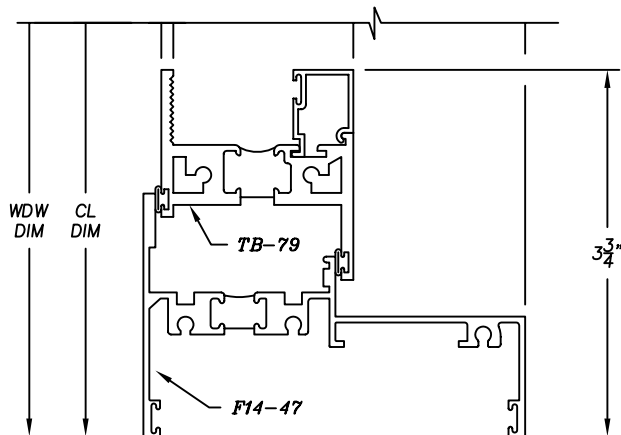
Thermally Improved Window

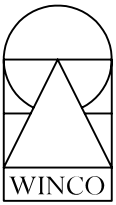
3



16

10





1450L Series

4" Heavy Commercial
Thermally Improved Window

