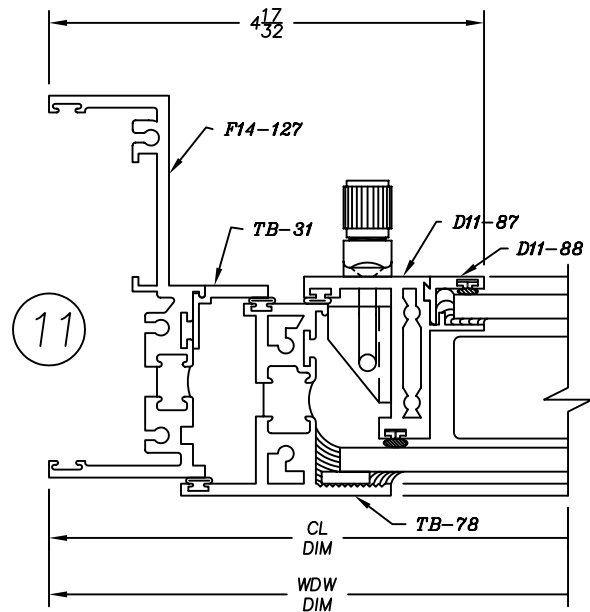
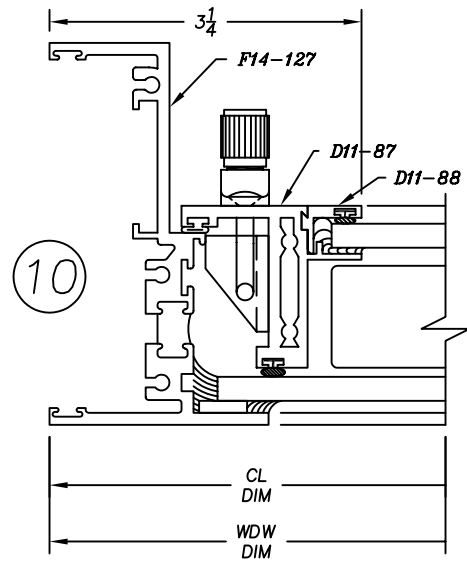
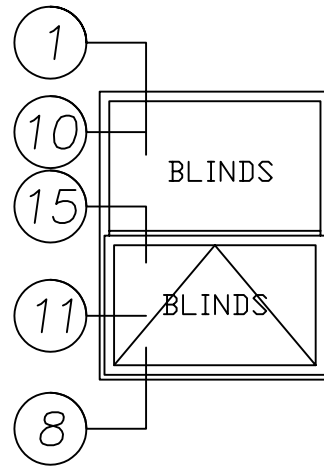
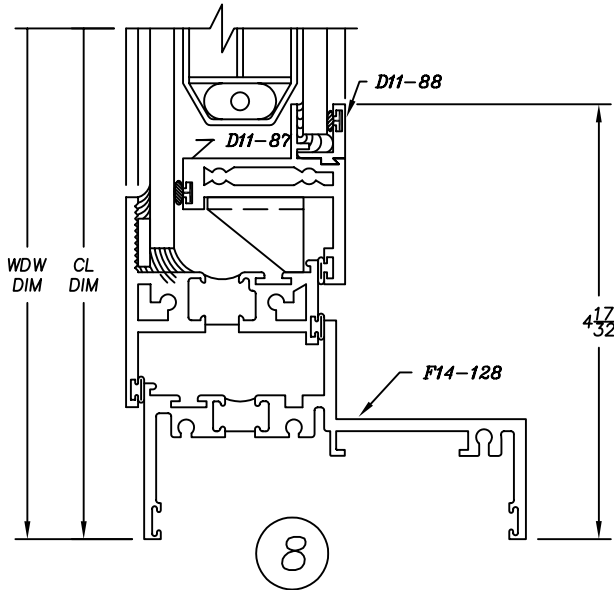
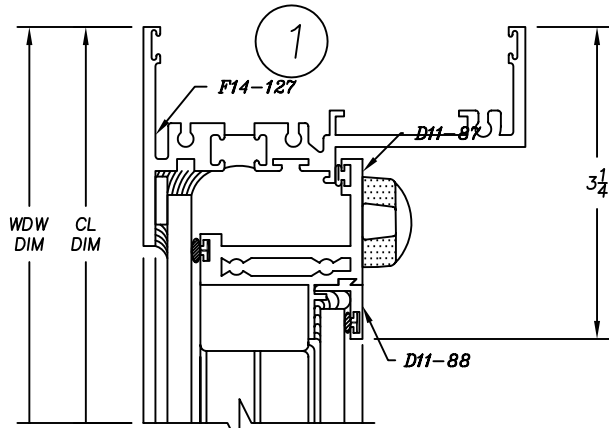
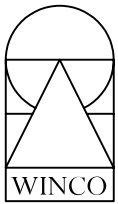


1465H Series

4" Heavy Commercial
Thermally Improved Blind Window

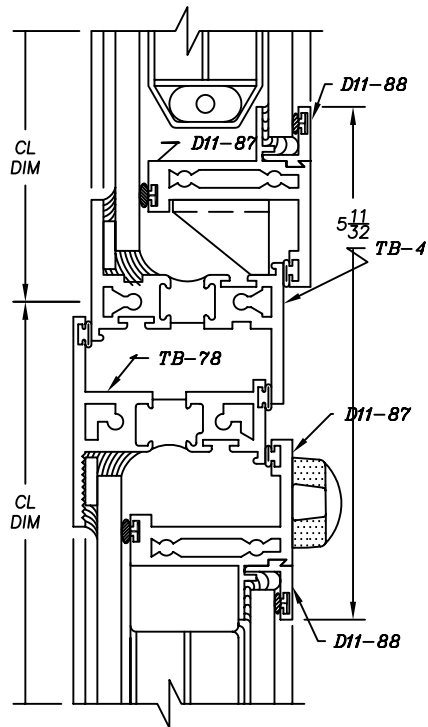




1465H Series

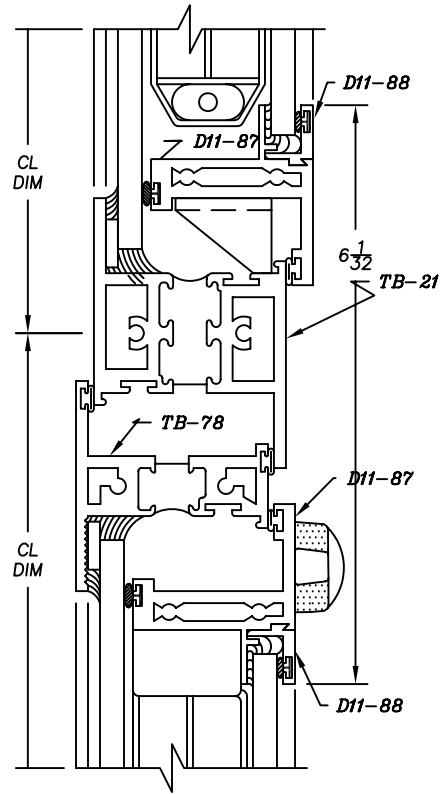
4" Heavy Commercial
Thermally Improved Blind Window

15



15

HEAVY RAIL



15

