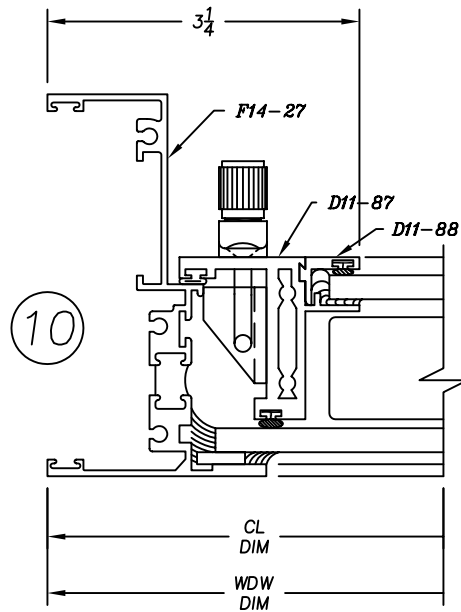
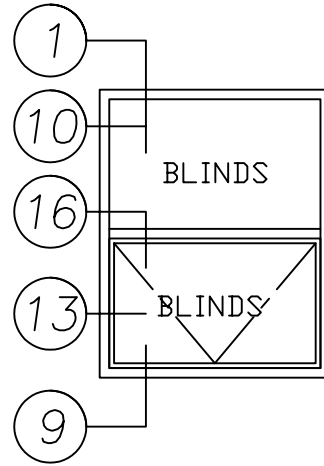
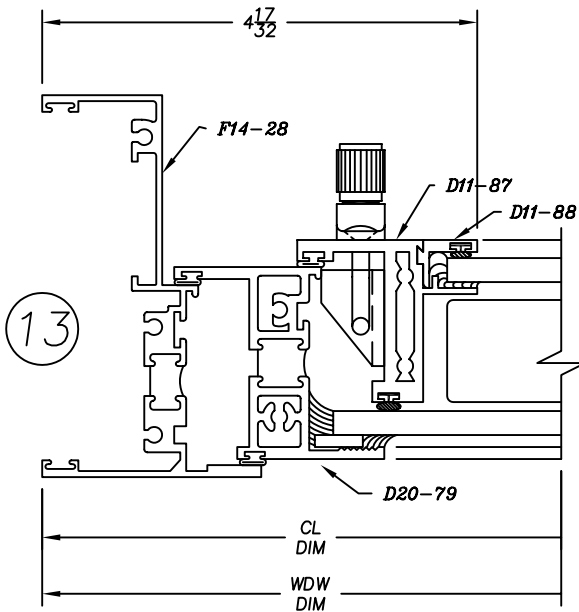
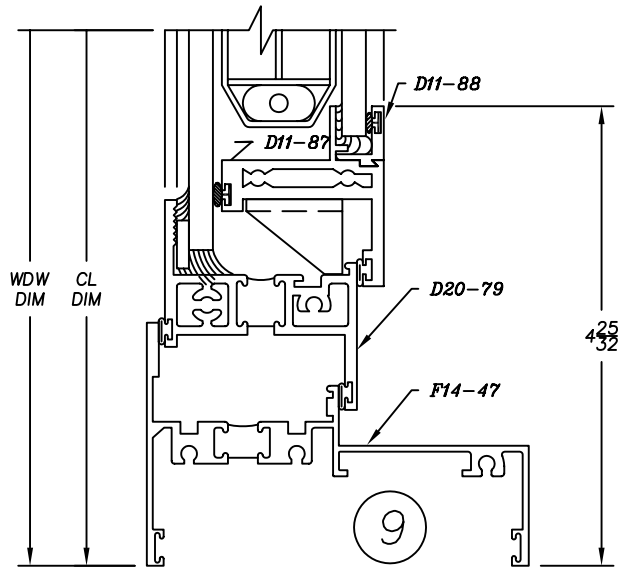
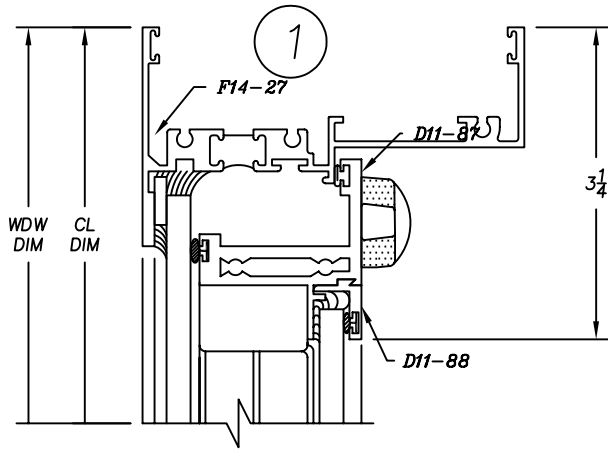
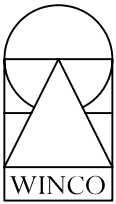


1465L Series

4" Heavy Commercial
Thermally Improved Blind Window

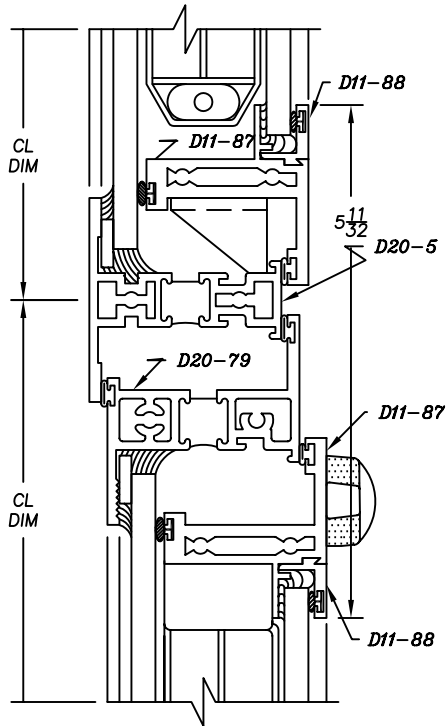




1465L Series

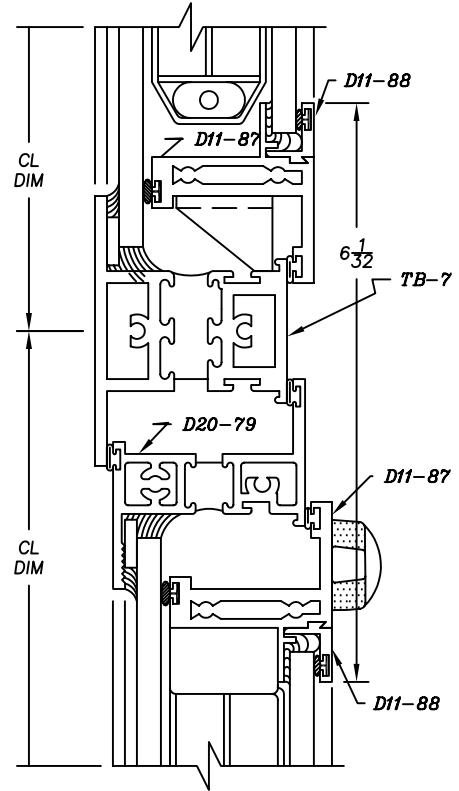
4" Heavy Commercial
Thermally Improved Blind Window

16



16

HEAVY RAIL



16

