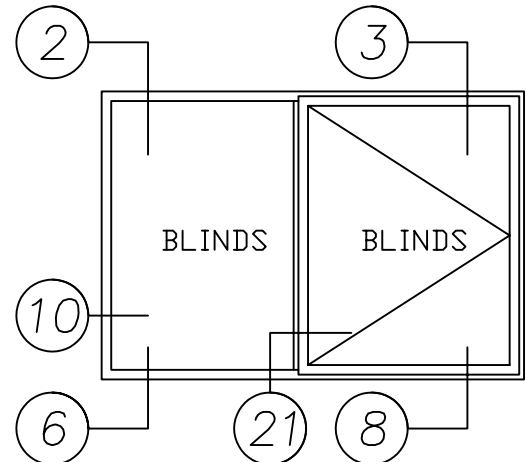
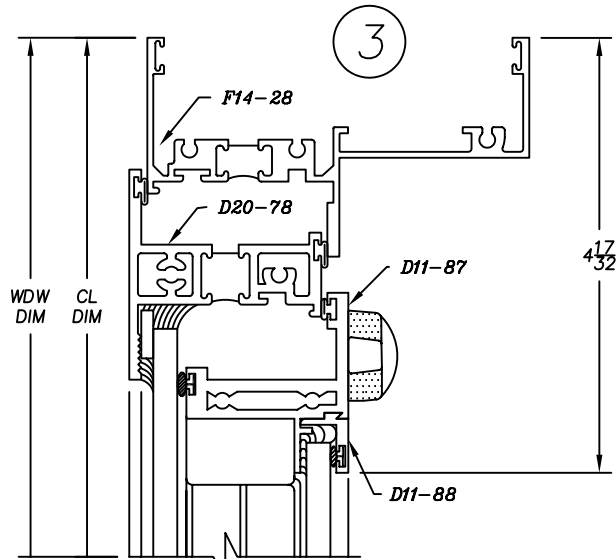


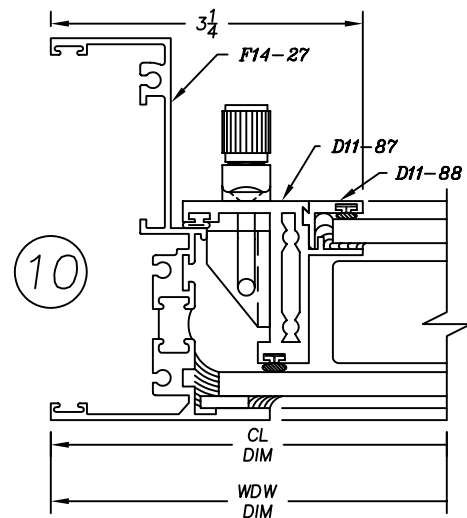
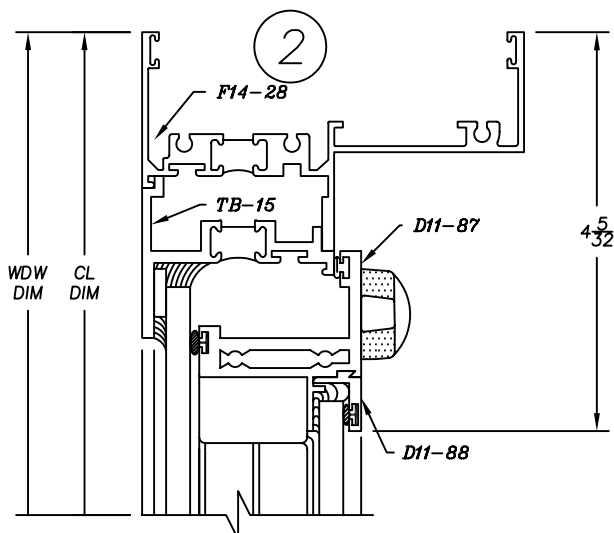
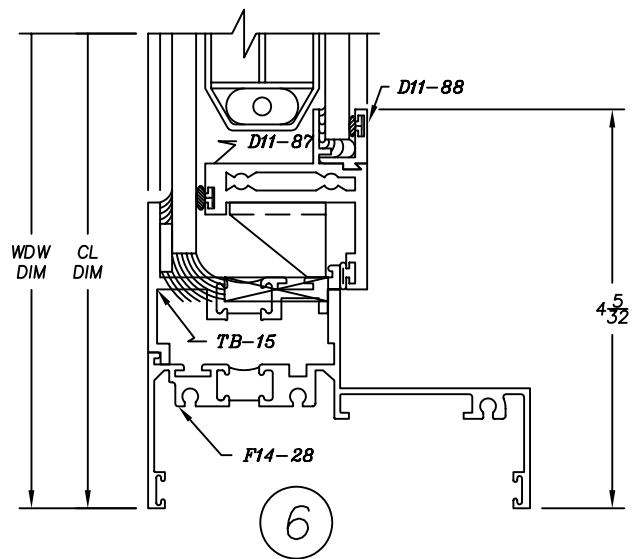
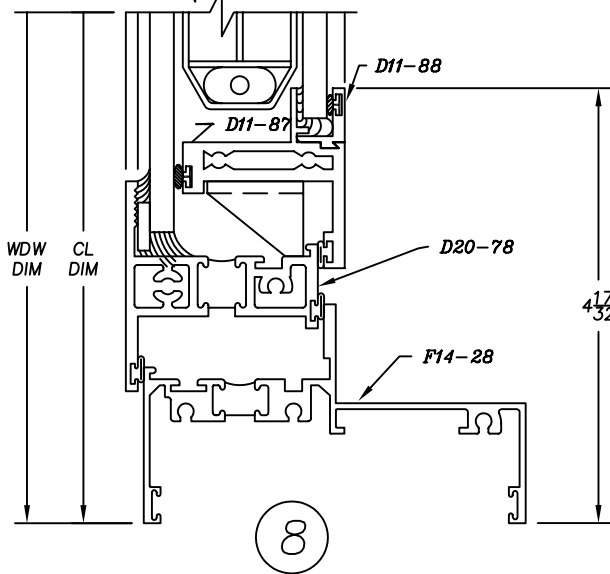
# 1465L Series

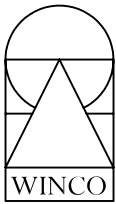
4" Heavy Commercial

Thermally Improved Blind Window



Fixed/Right Hand Out-Swing Casement





# 1465L Series

4" Heavy Commercial  
Thermally Improved Blind Window

