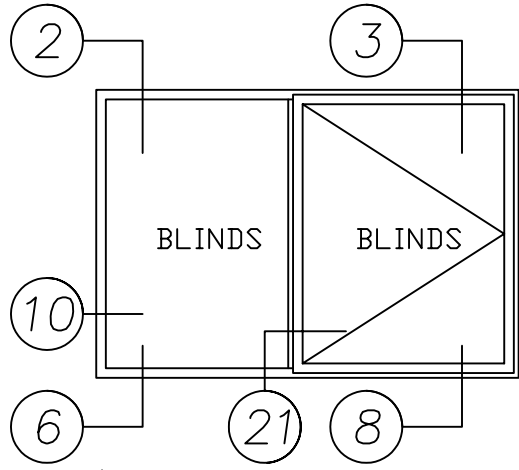
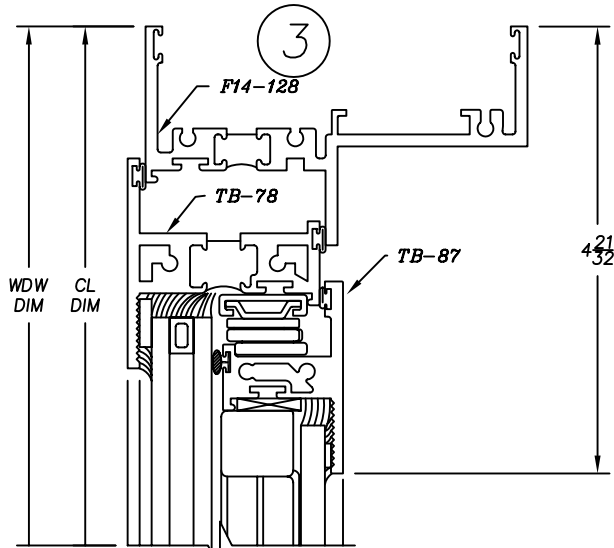
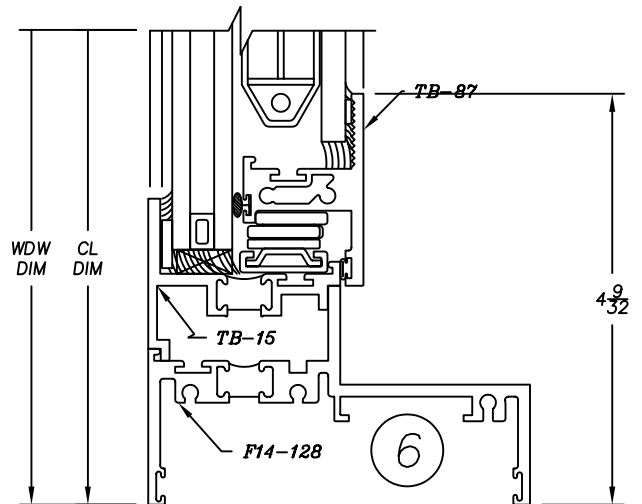
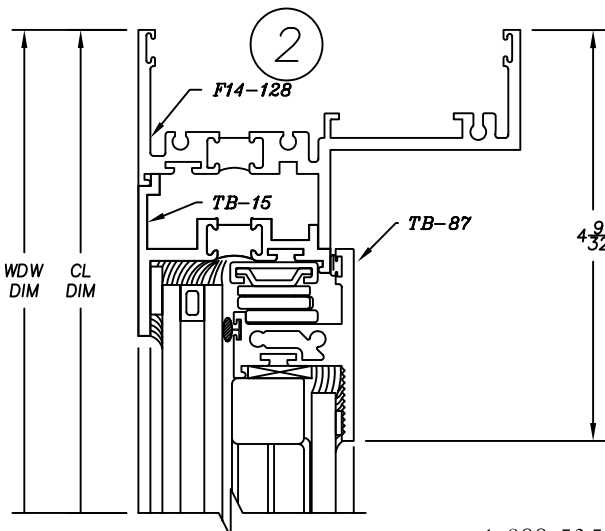
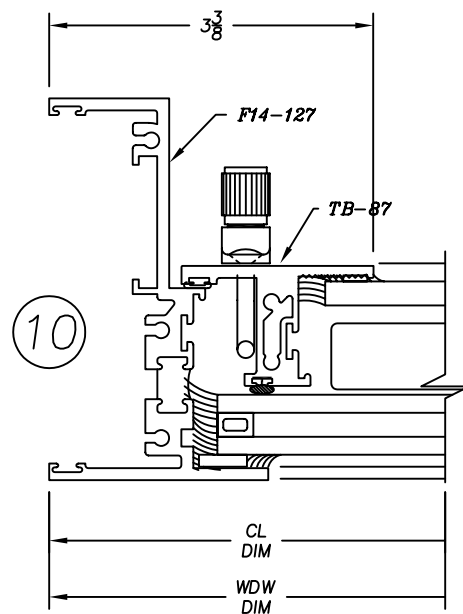
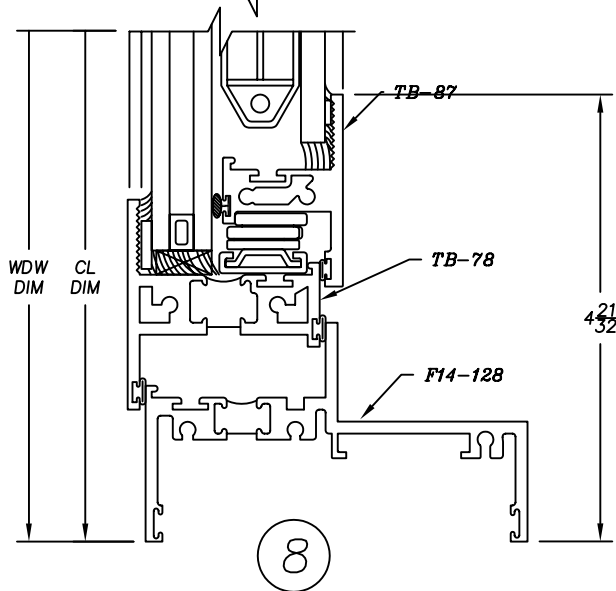


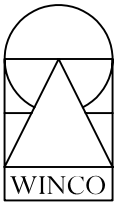
1485H Series

4" Heavy Commercial
Thermally Improved Blind Window



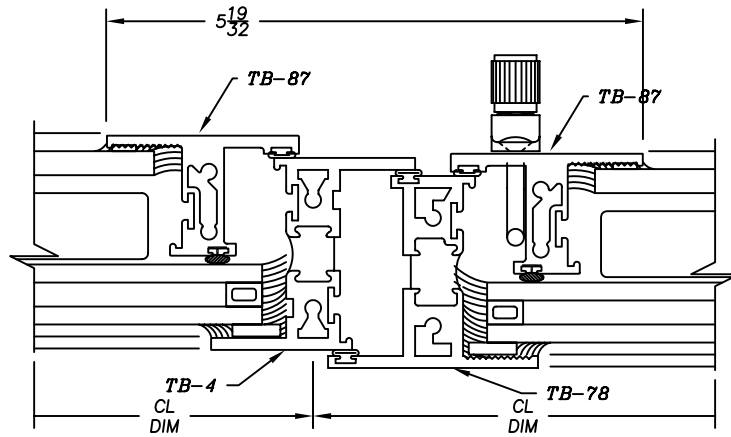
Fixed/Right Hand Out-Swing Casement



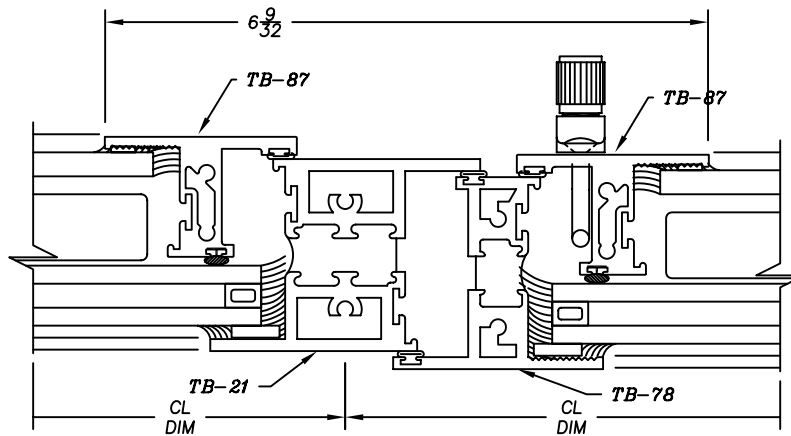


1485H Series

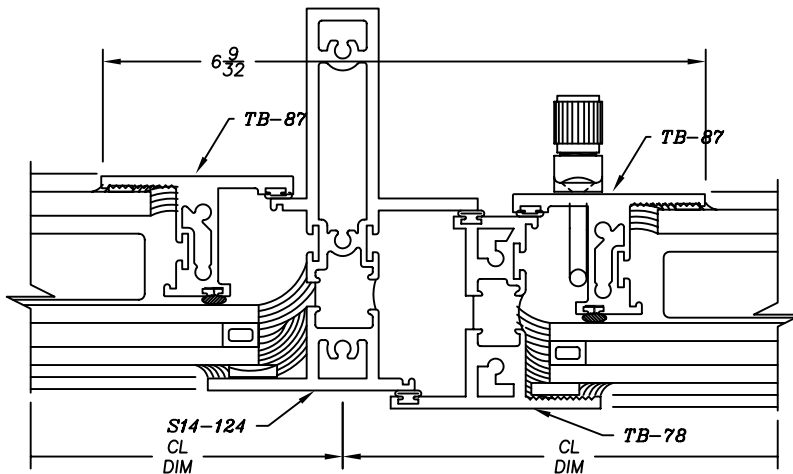
4" Heavy Commercial
Thermally Improved Blind Window



(21)



(21) **HEAVY RAIL**



(21)