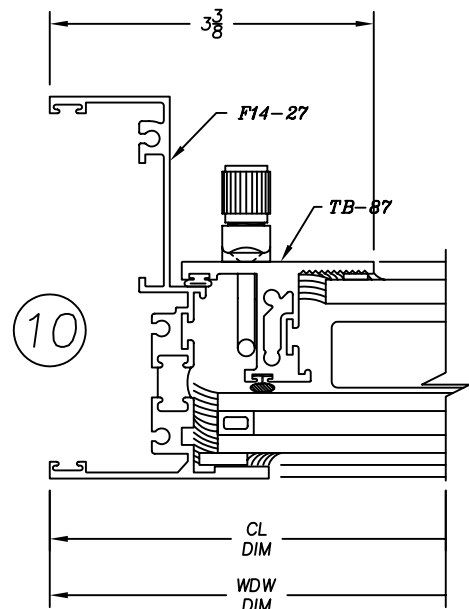
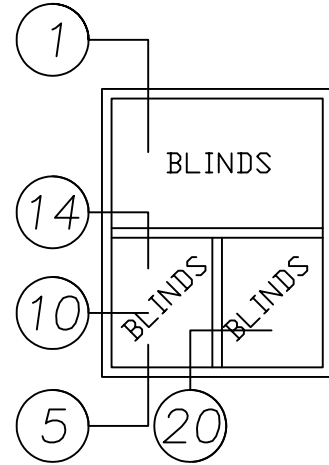
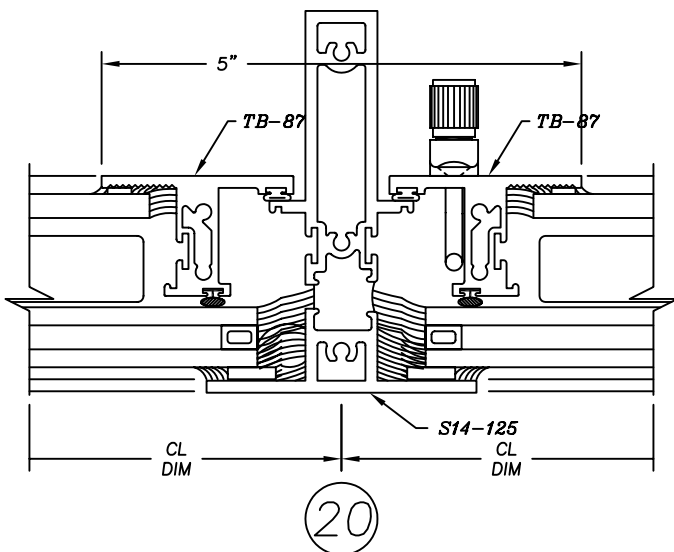
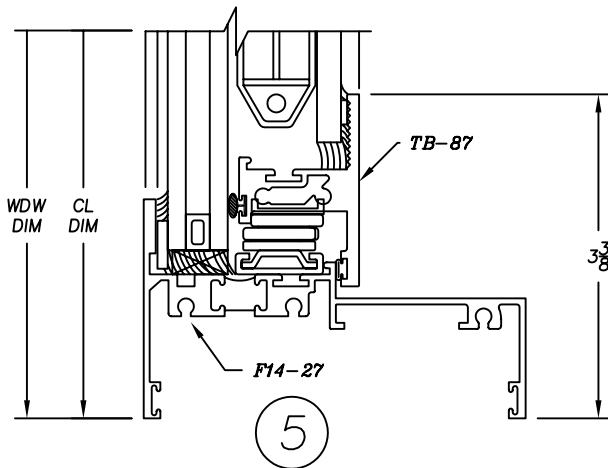
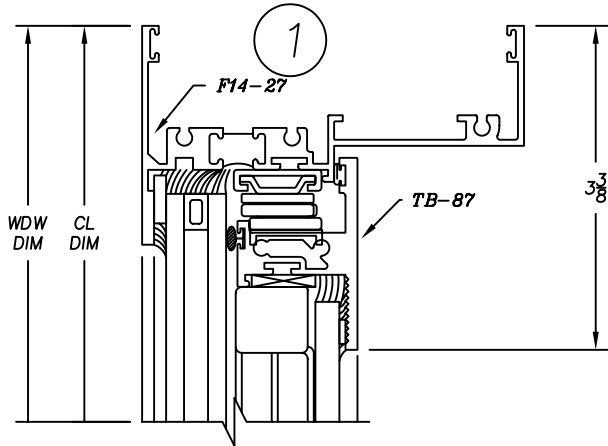
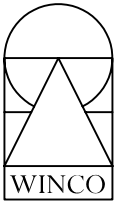


# 1485L Series

4" Heavy Commercial  
Thermally Improved Blind Window

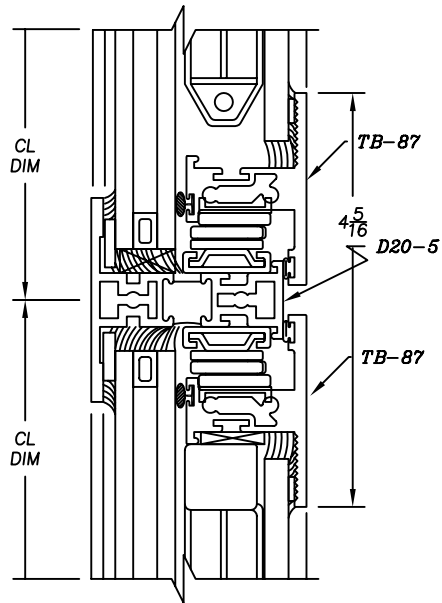




# 1485L Series

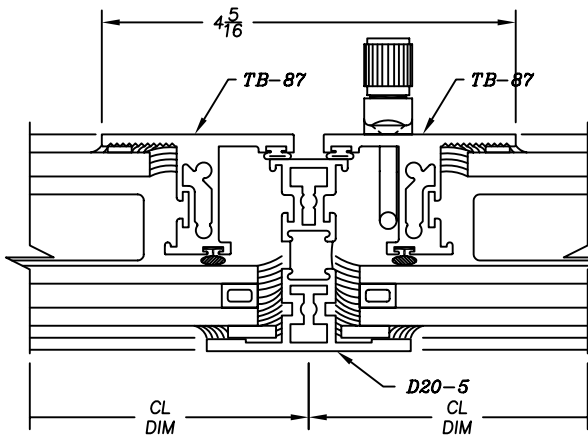
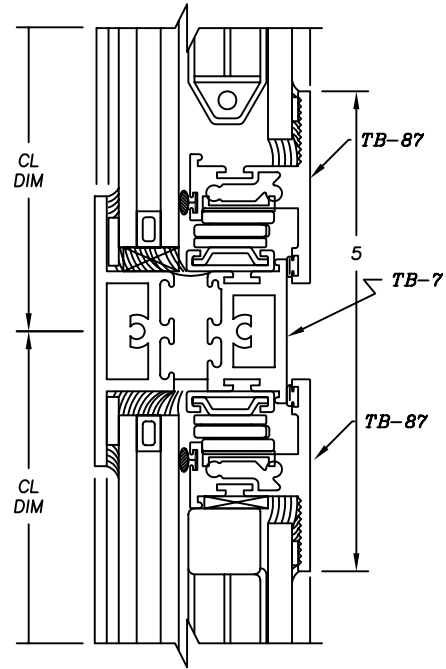
4" Heavy Commercial  
Thermally Improved Blind Window

14

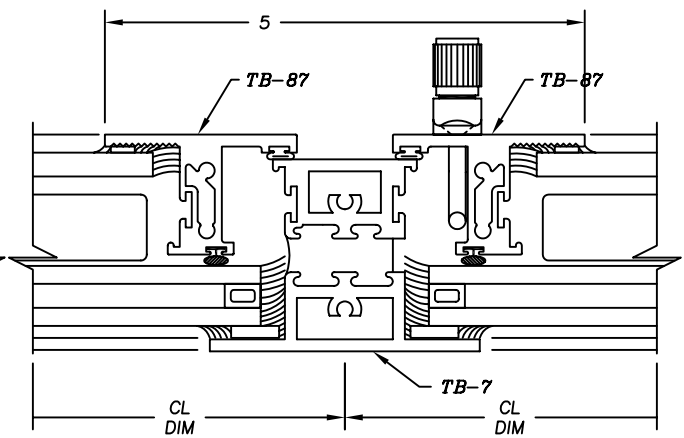


14

HEAVY RAIL



20



20

HEAVY RAIL