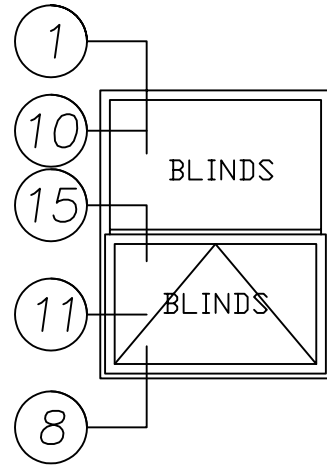
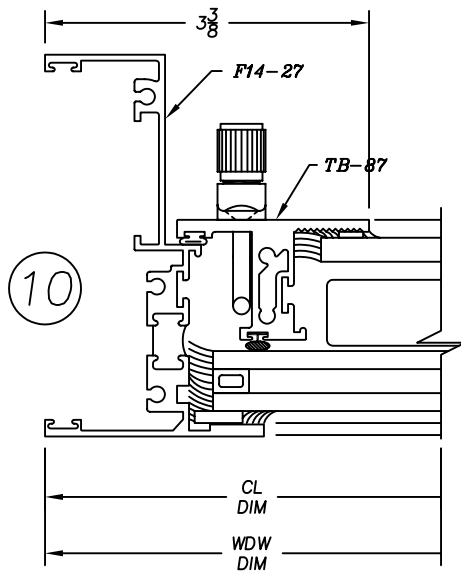
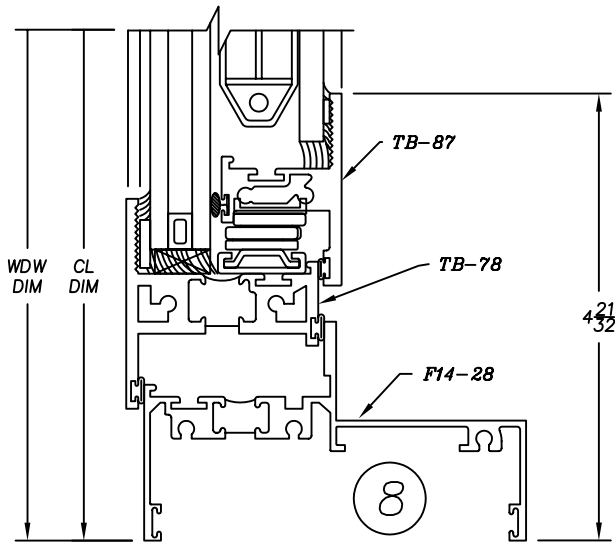
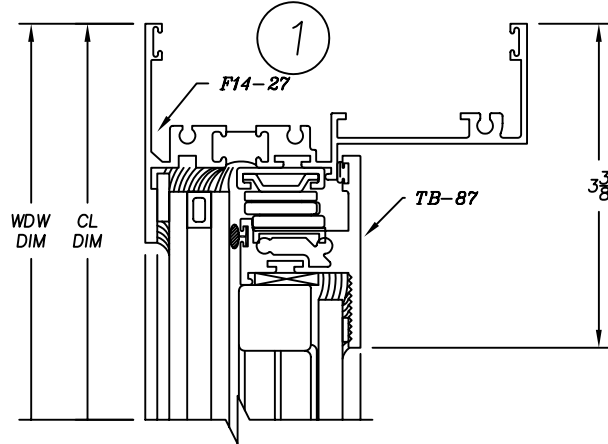


# 1485L Series

4" Heavy Commercial  
Thermally Improved Blind Window



15

