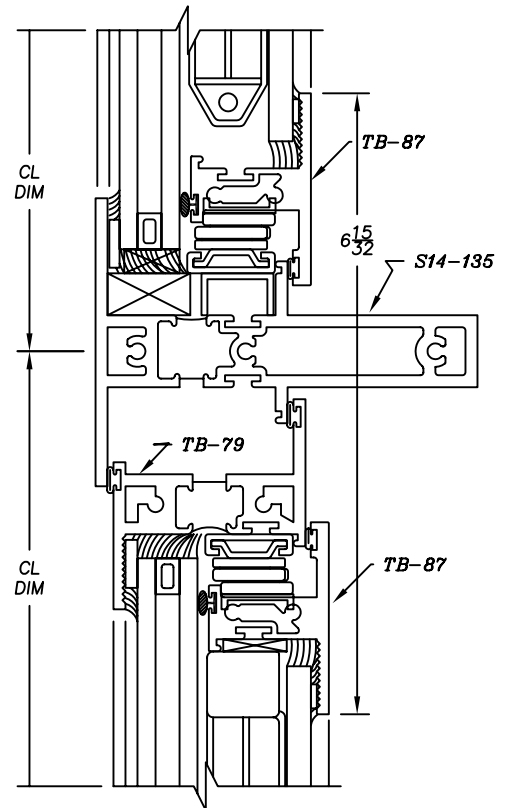
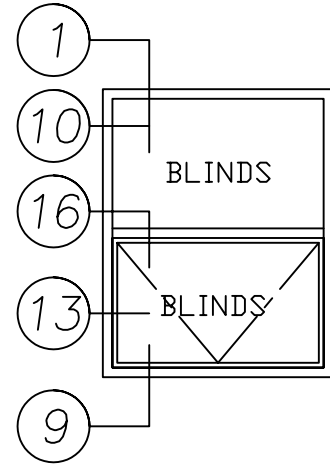
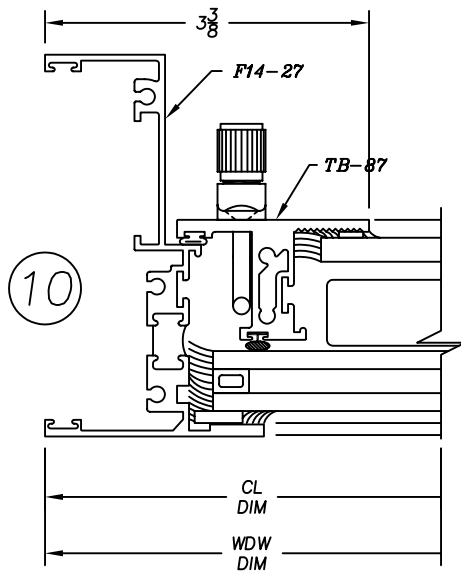
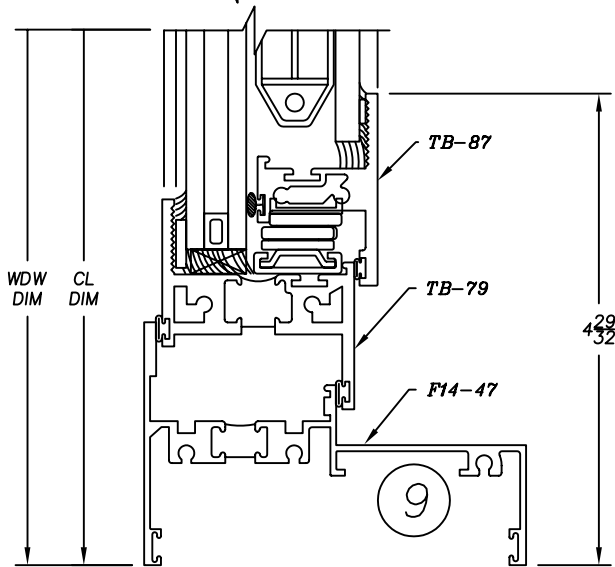
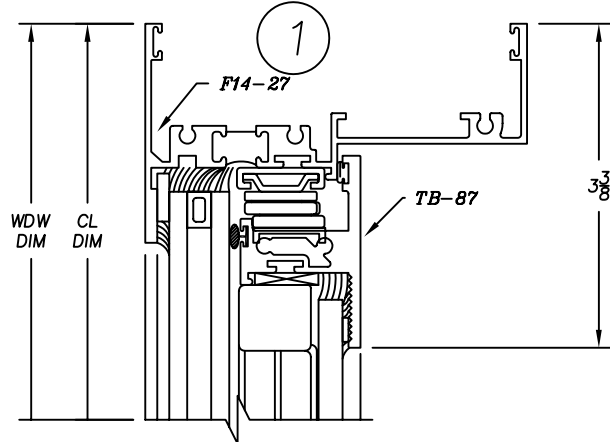
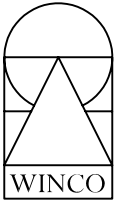


# 1485L Series

4" Heavy Commercial  
Thermally Improved Blind Window

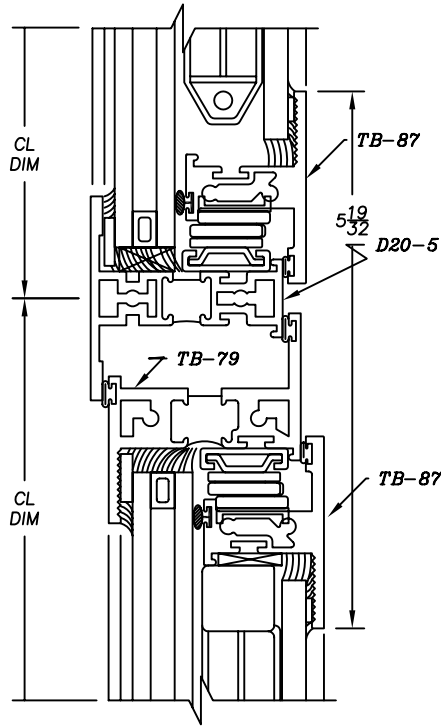




# 1485L Series

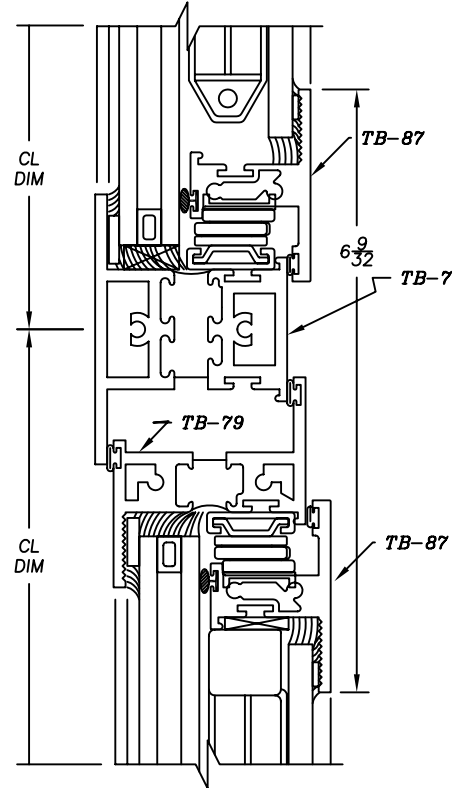
4" Heavy Commercial  
Thermally Improved Blind Window

(16)



(16)

HEAVY RAIL



(13)

