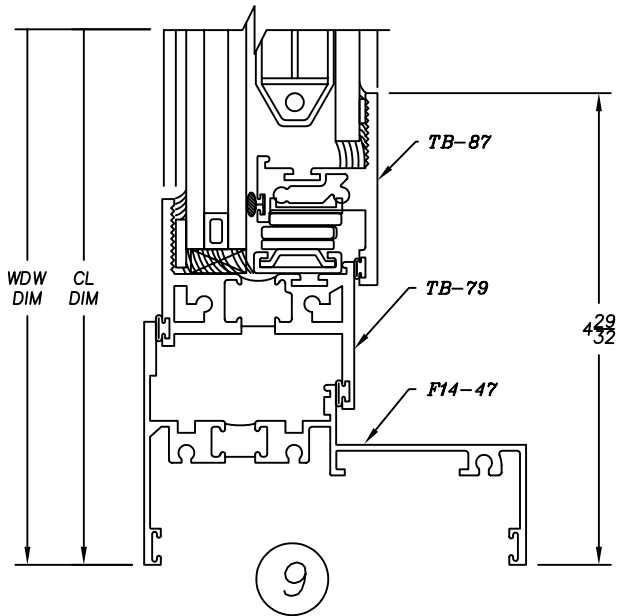
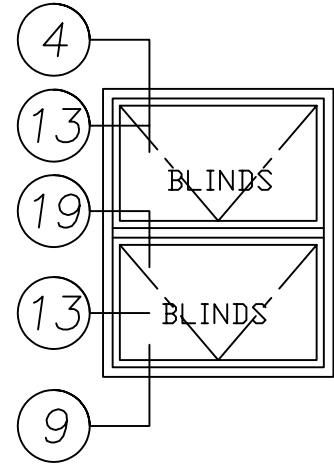
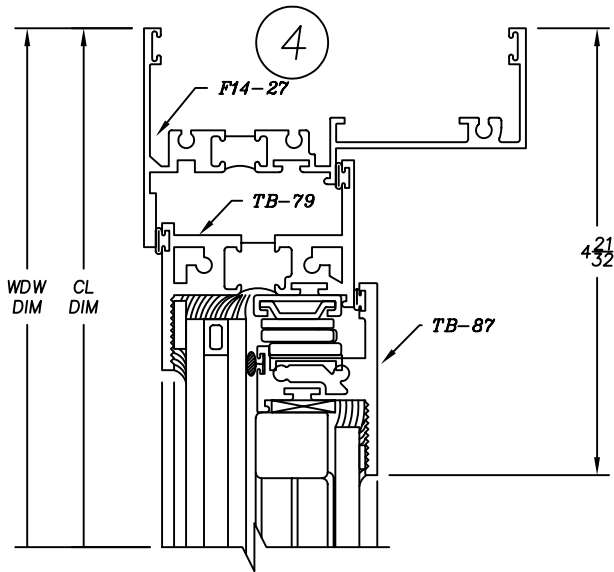
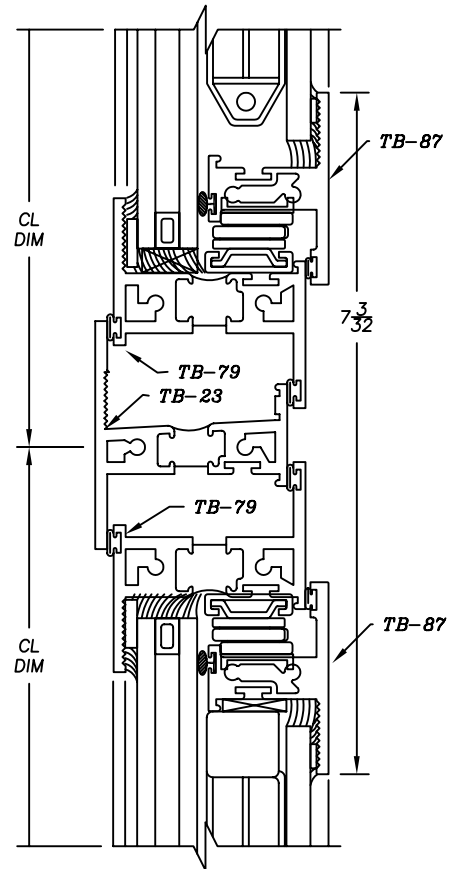


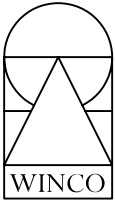
1485L Series

4" Heavy Commercial
Thermally Improved Blind Window



(19)





1485L Series

4" Heavy Commercial
Thermally Improved Blind Window

