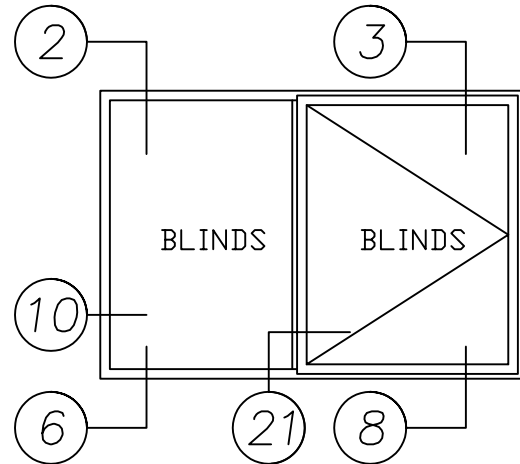
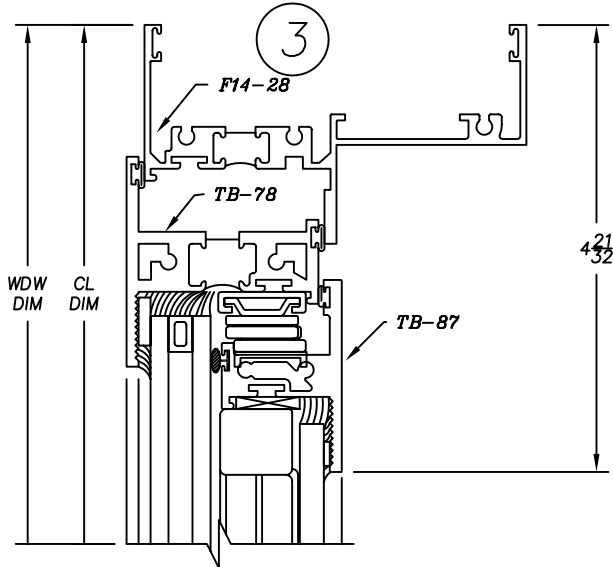
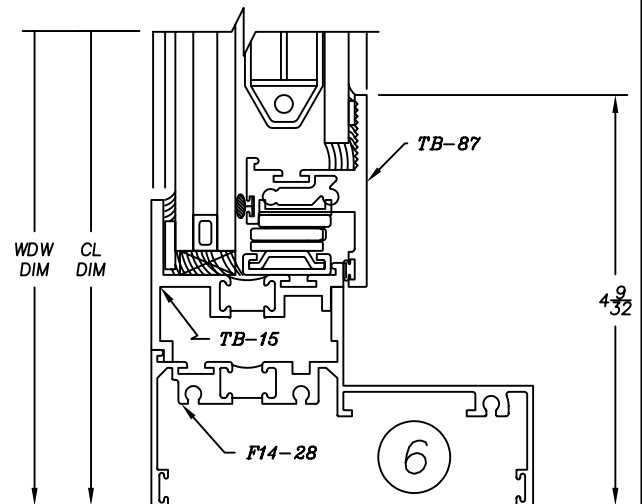
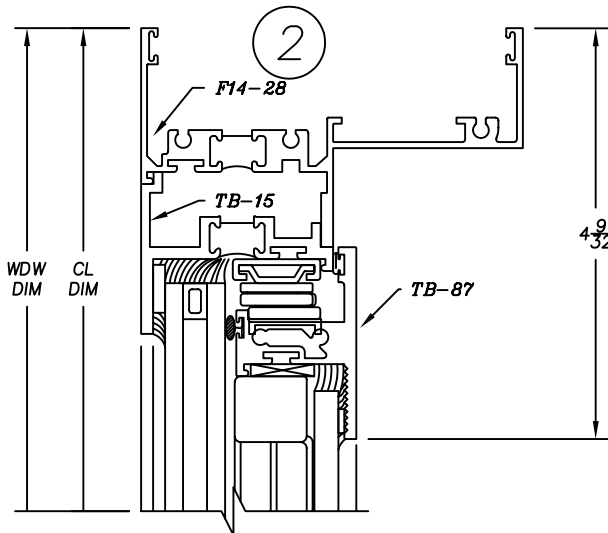
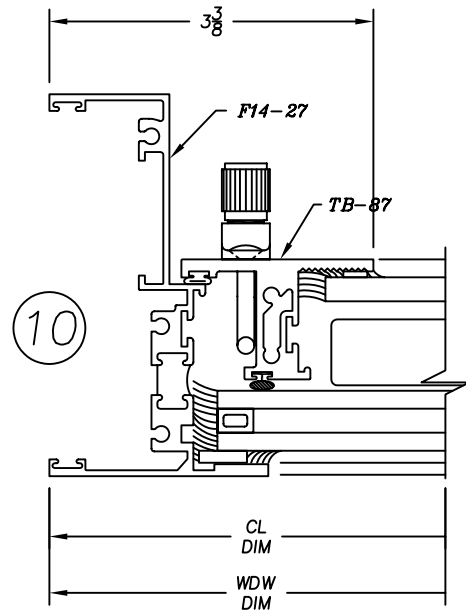
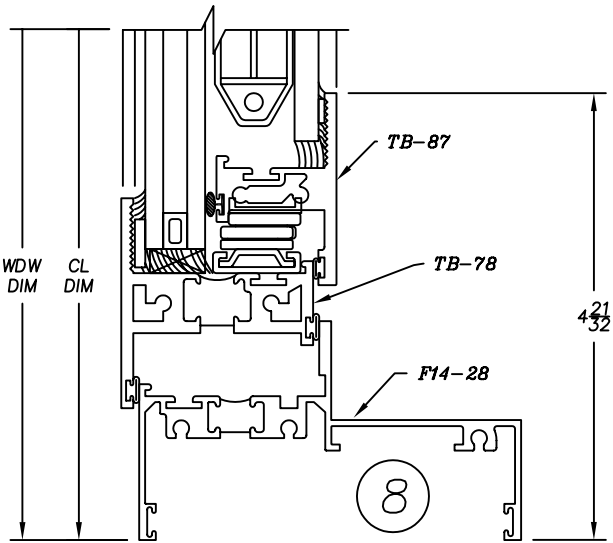


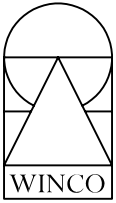
1485L Series

4" Heavy Commercial
Thermally Improved Blind Window



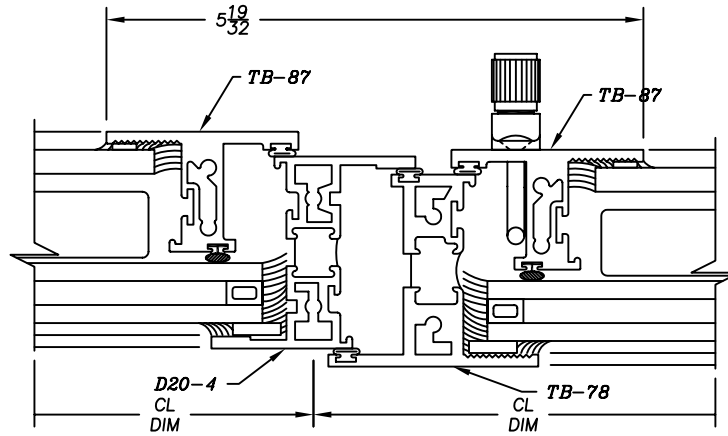
Fixed/Right Hand Out-Swing Casement



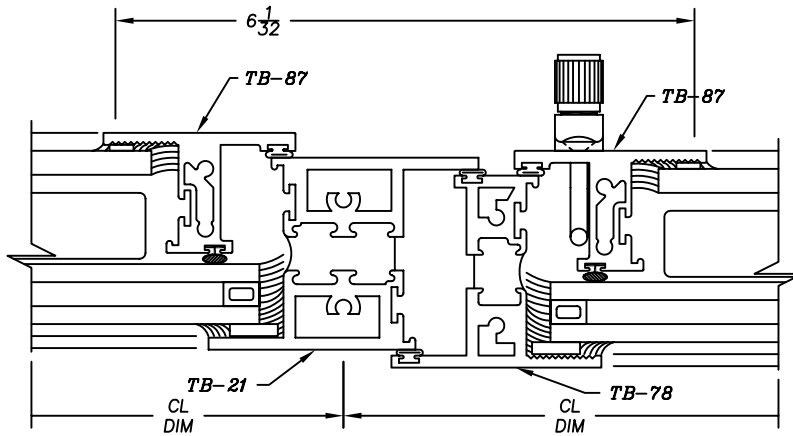


1485L Series

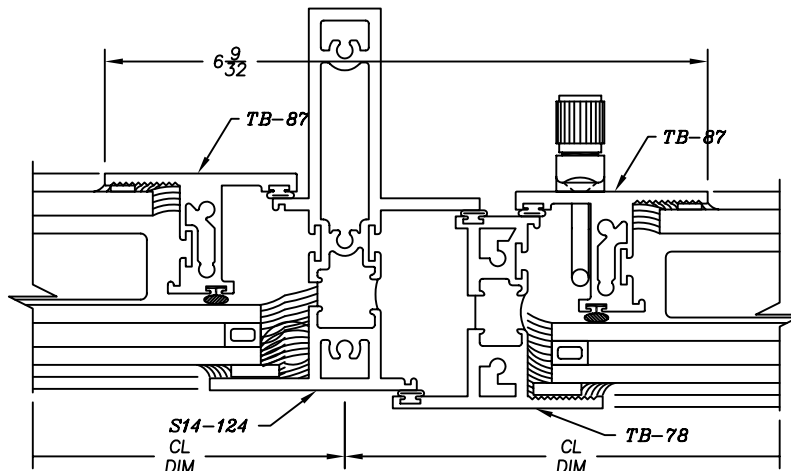
4" Heavy Commercial
Thermally Improved Blind Window



(21)



(21) HEAVY RAIL



(21)