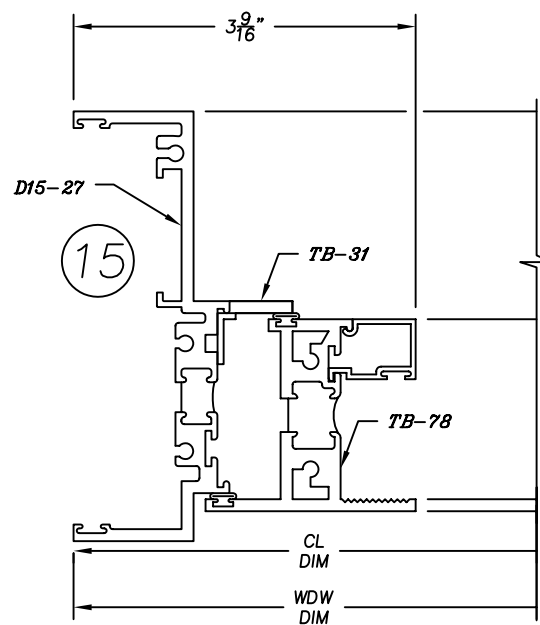
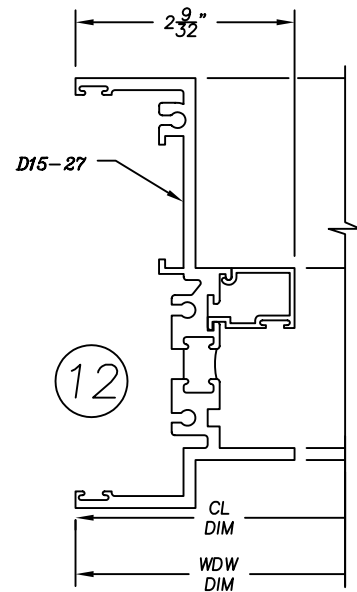
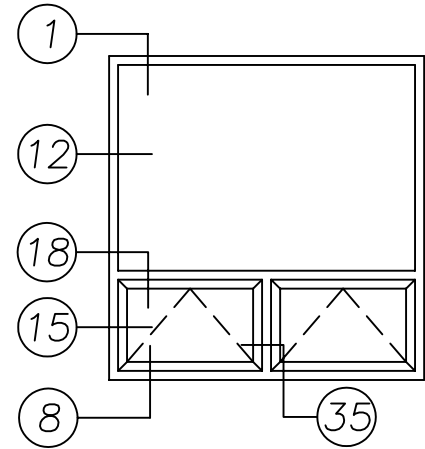
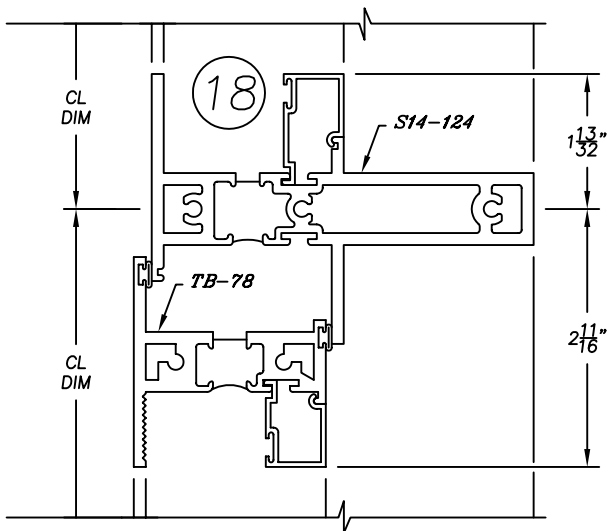
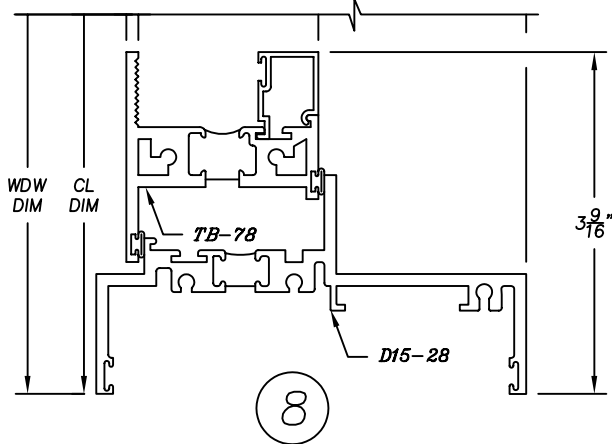
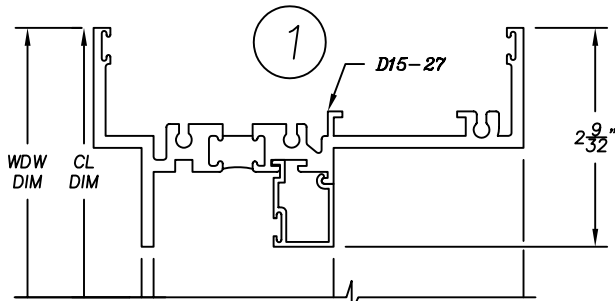
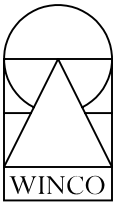


1550H Series

4-1/2" Heavy Commercial
Thermally Improved Window





1550H Series

4-1/2" Heavy Commercial
Thermally Improved Window

