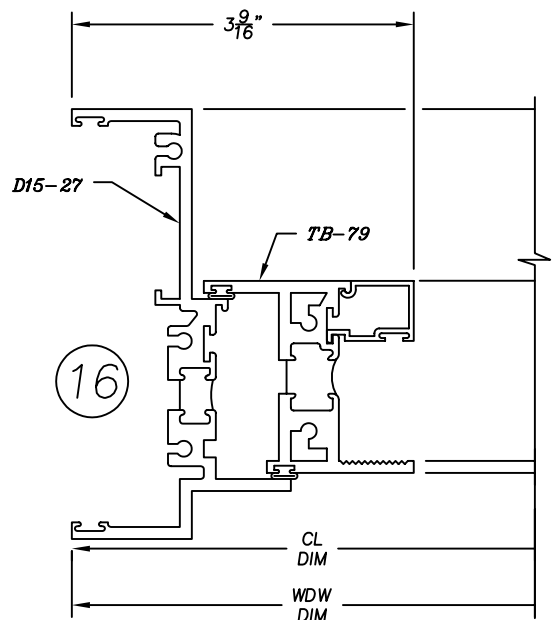
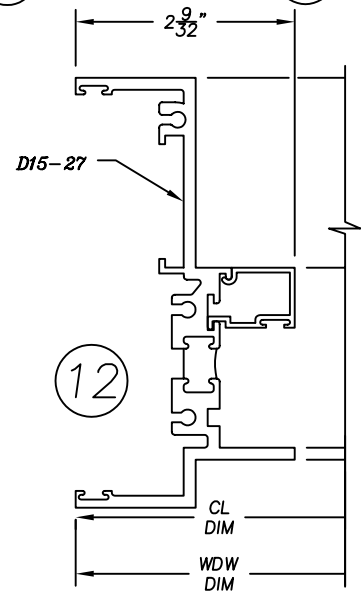
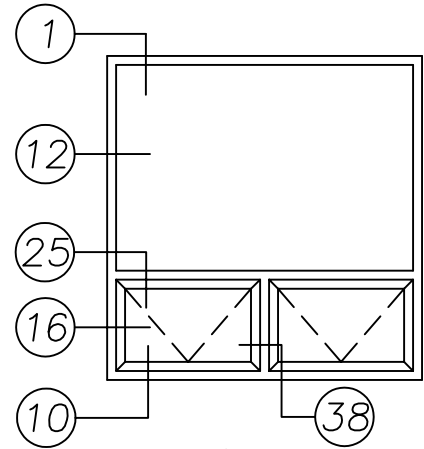
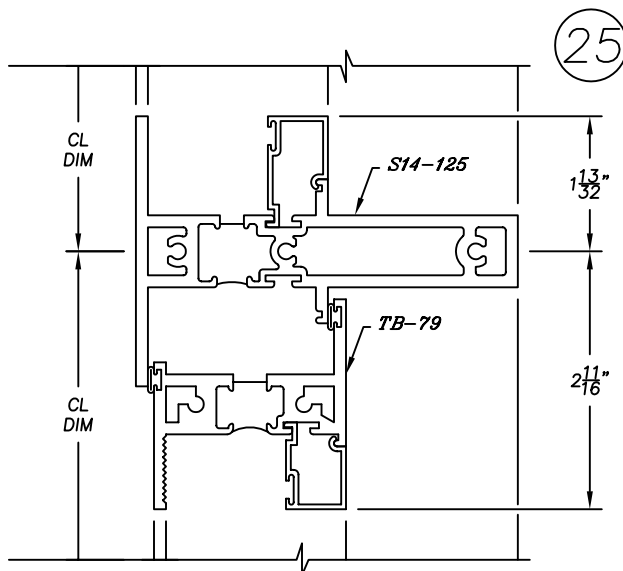
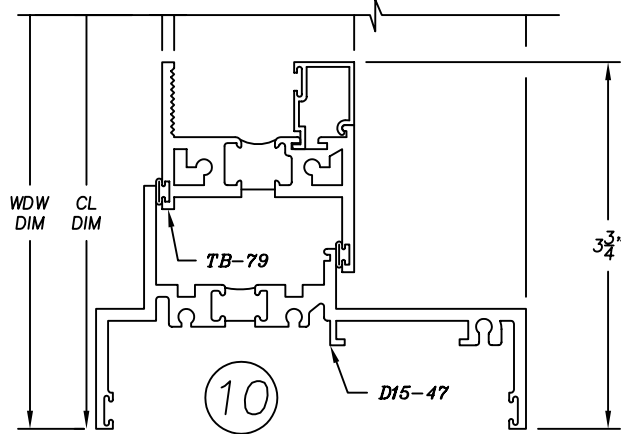
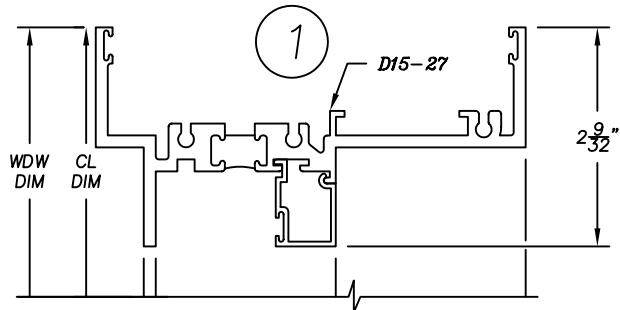
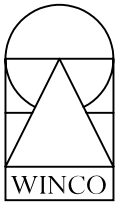


1550H Series

4-1/2" Heavy Commercial
Thermally Improved Window

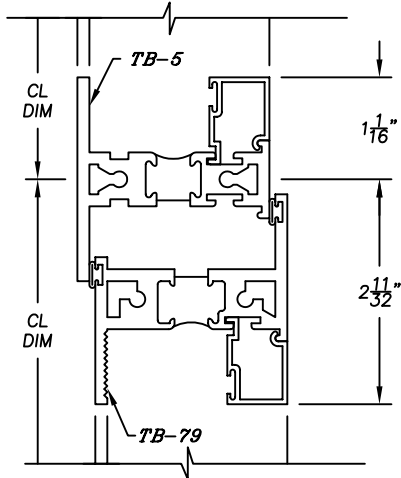




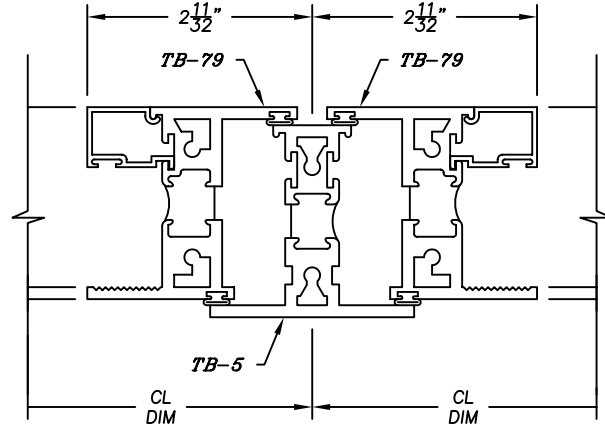
1550H Series

4-1/2" Heavy Commercial
Thermally Improved Window

25

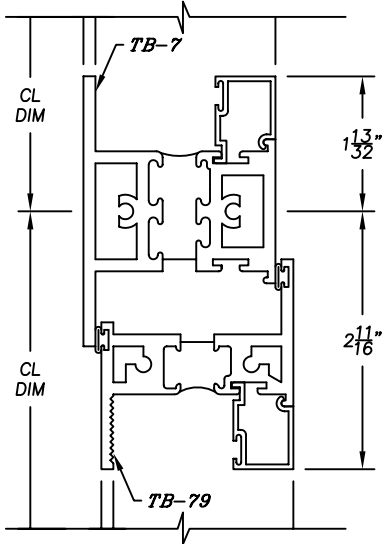


38



25

HEAVY RAIL



38

