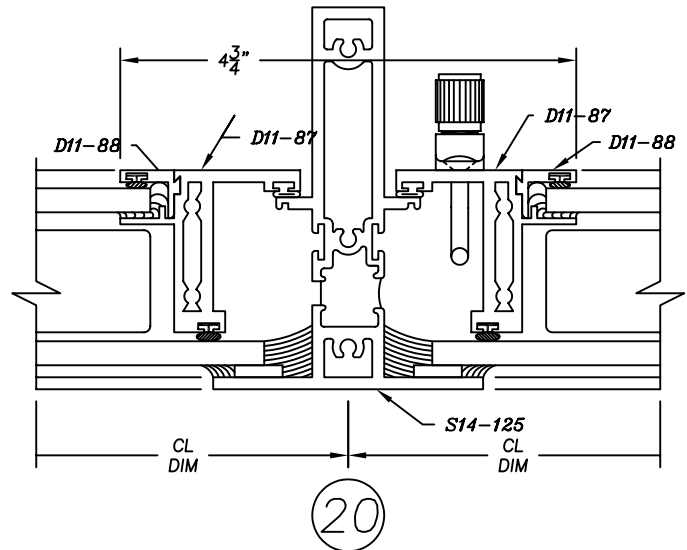
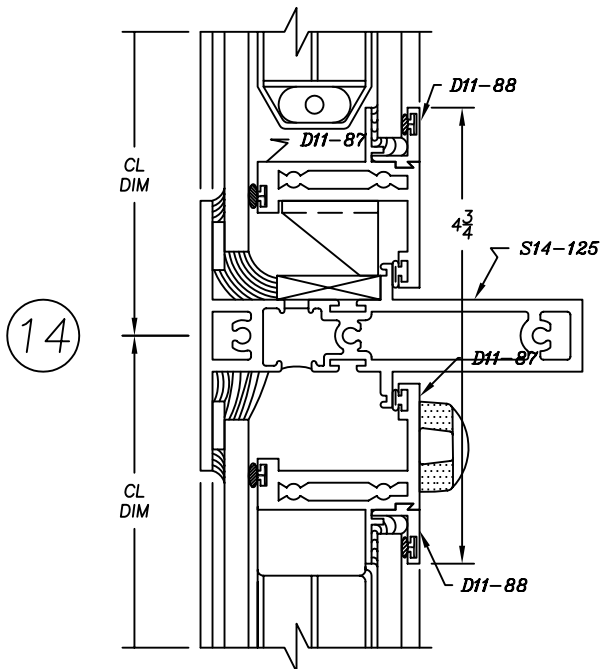
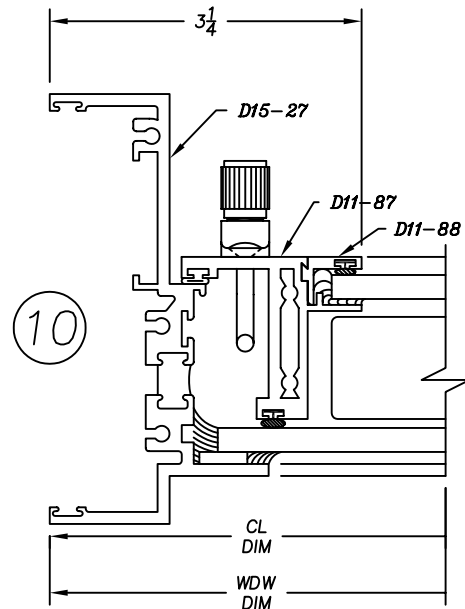
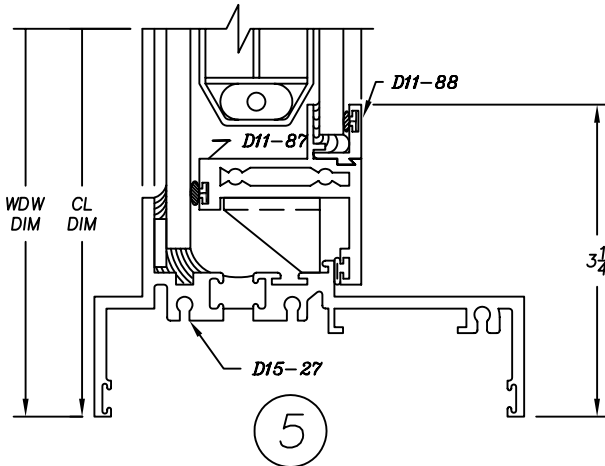
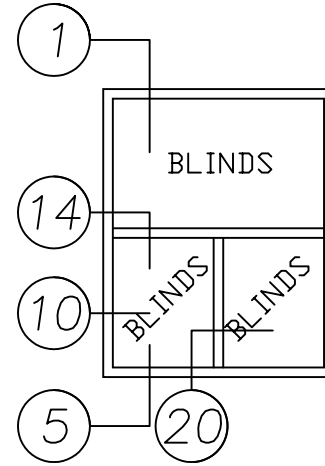
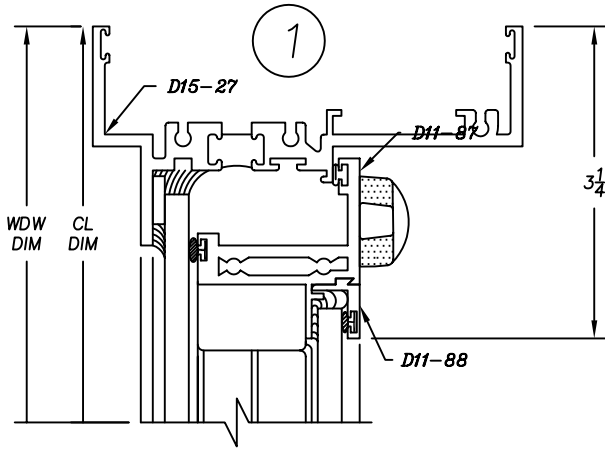
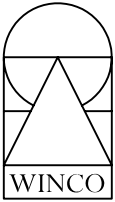


# 1565H Series

4-1/2" Heavy Commercial  
Thermally Improved Blind Window





# 1565H Series

4-1/2" Heavy Commercial  
Thermally Improved Blind Window

