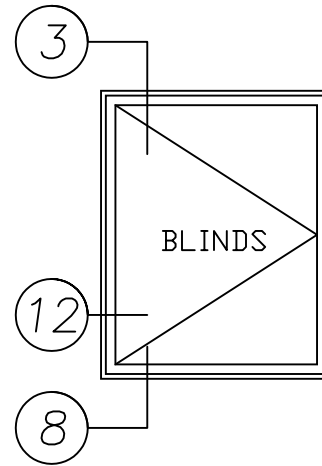
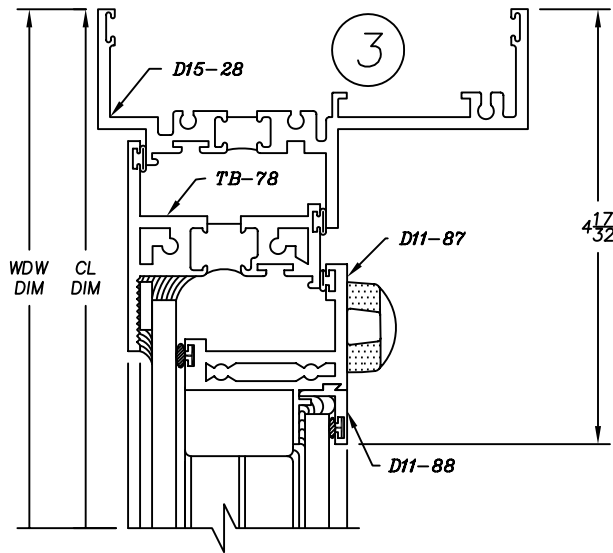


# 1565H Series

4-1/2" Heavy Commercial  
Thermally Improved Blind Window



Right Hand Out-Swing Casement

