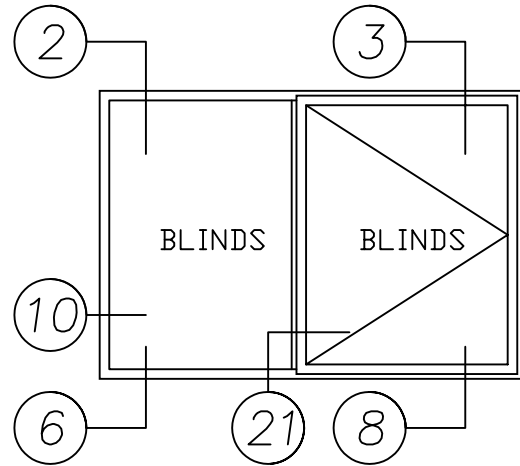
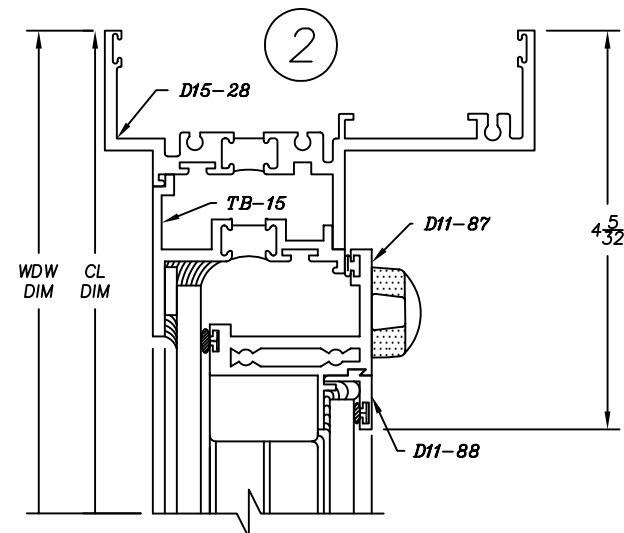
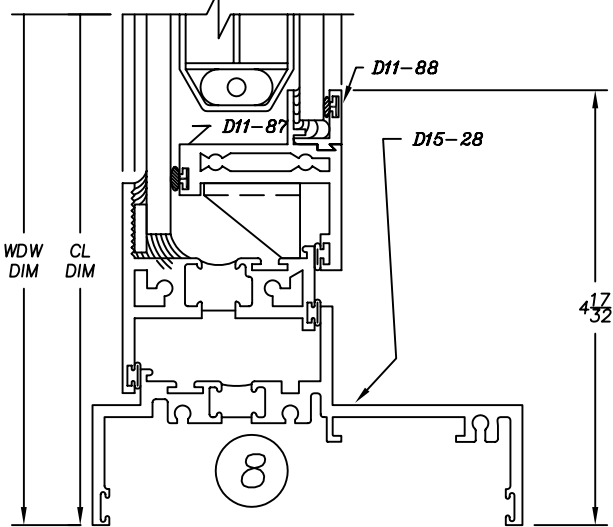
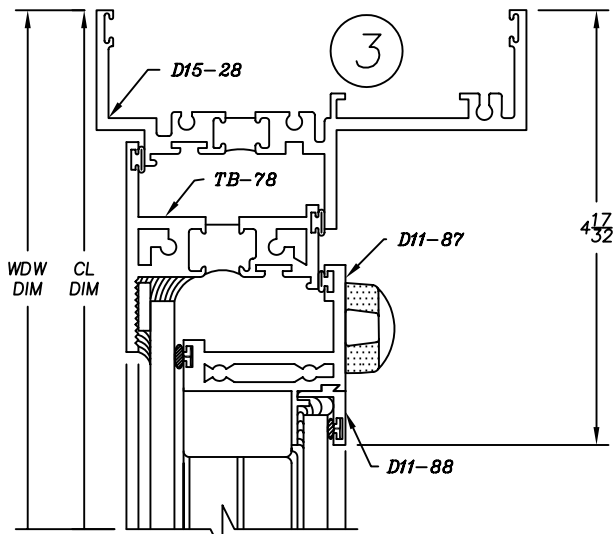
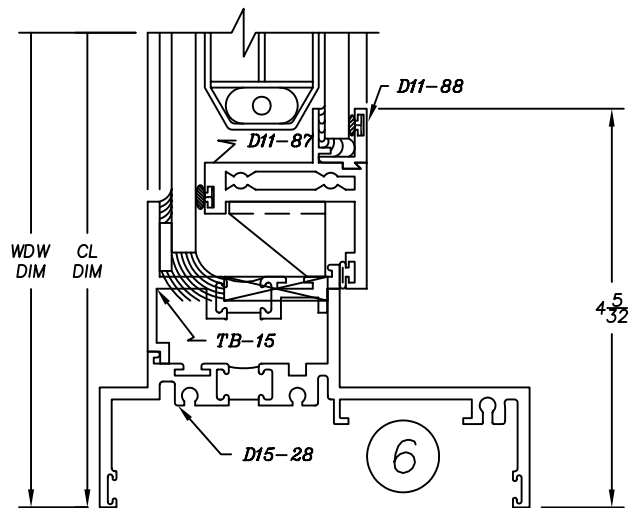
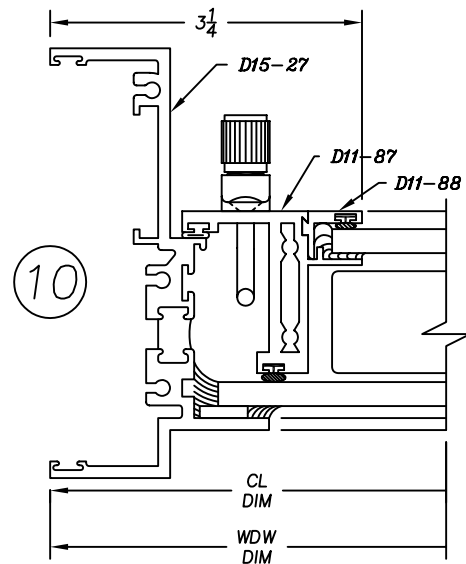


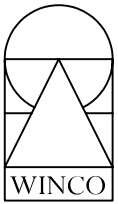
1565H Series

4-1/2" Heavy Commercial
Thermally Improved Blind Window



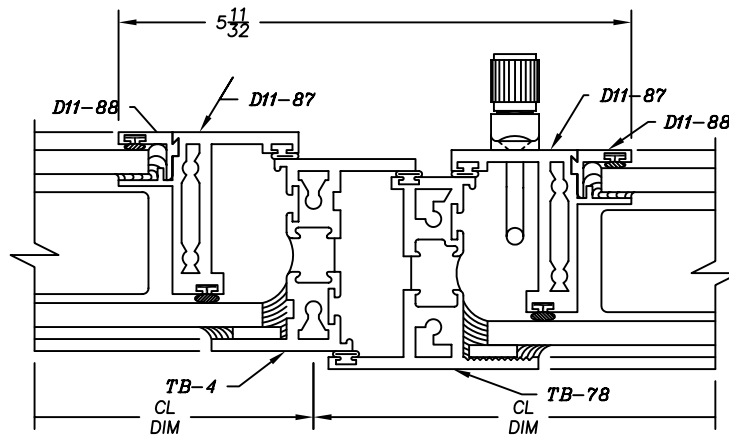
Fixed/Right Hand Out-Swing Casement



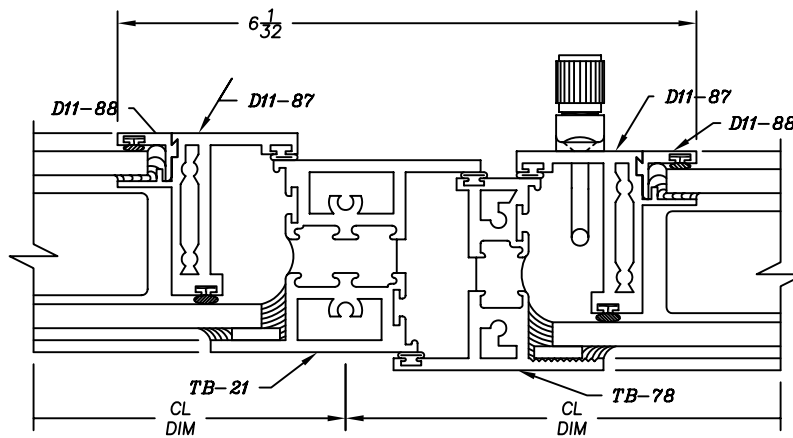


1565H Series

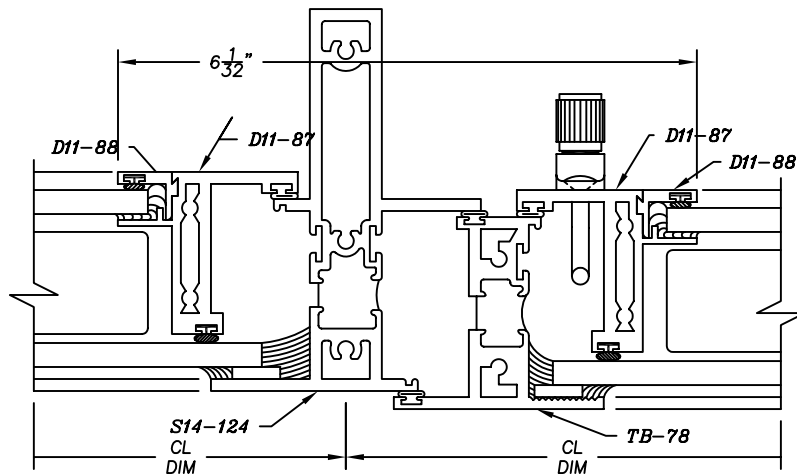
4-1/2" Heavy Commercial
Thermally Improved Blind Window



(21)



(21) HEAVY RAIL



(21)