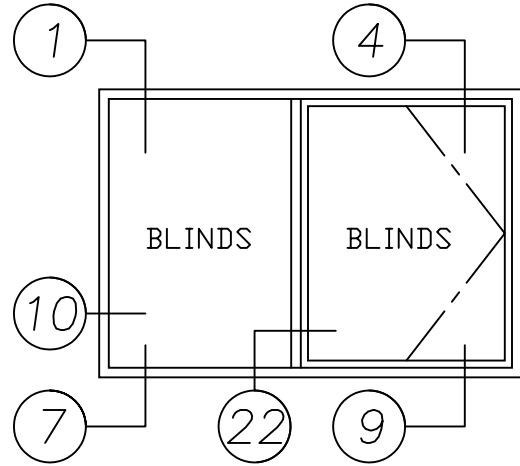
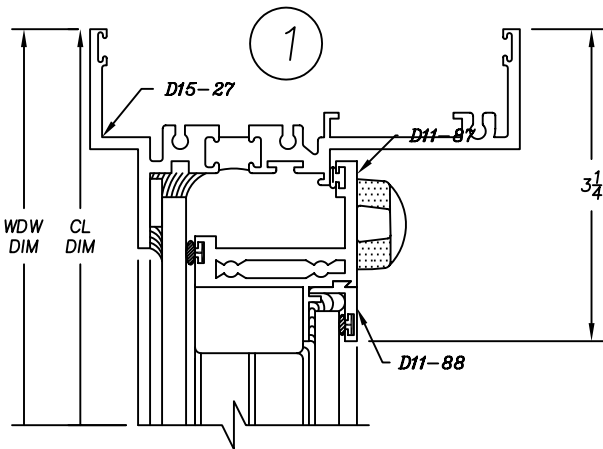
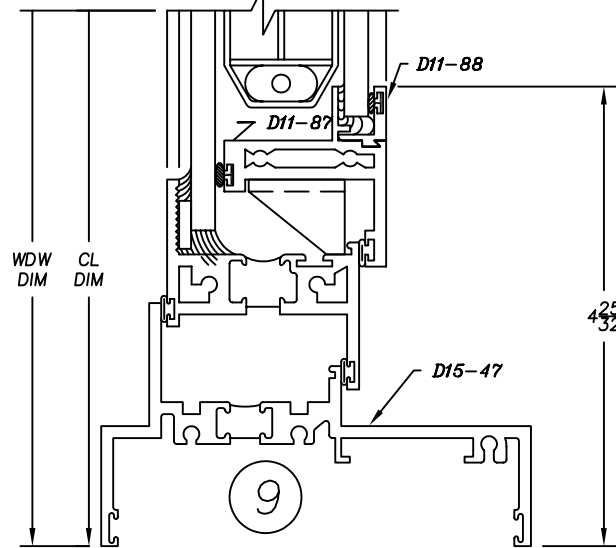
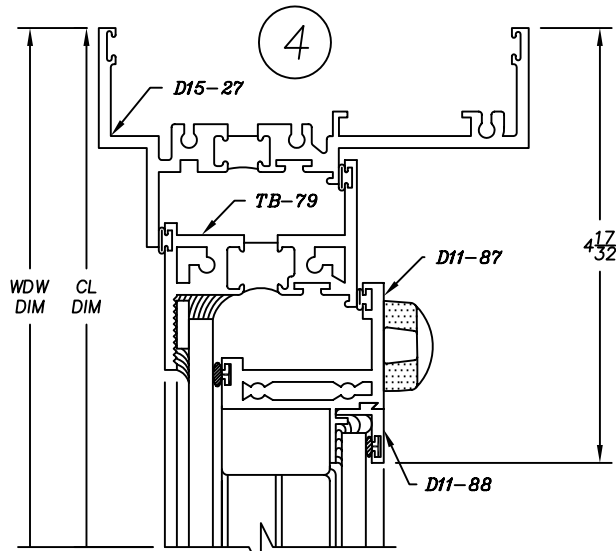
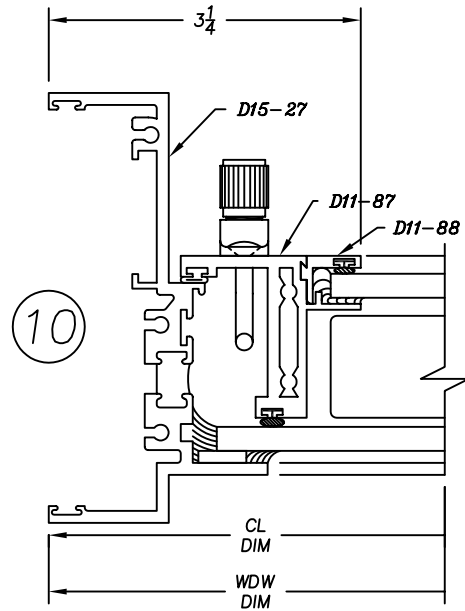


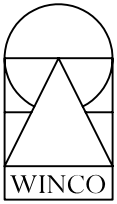
1565H Series

4-1/2" Heavy Commercial
Thermally Improved Blind Window



Fixed/Right Hand In-Swing Casement





1565H Series

4-1/2" Heavy Commercial
Thermally Improved Blind Window

