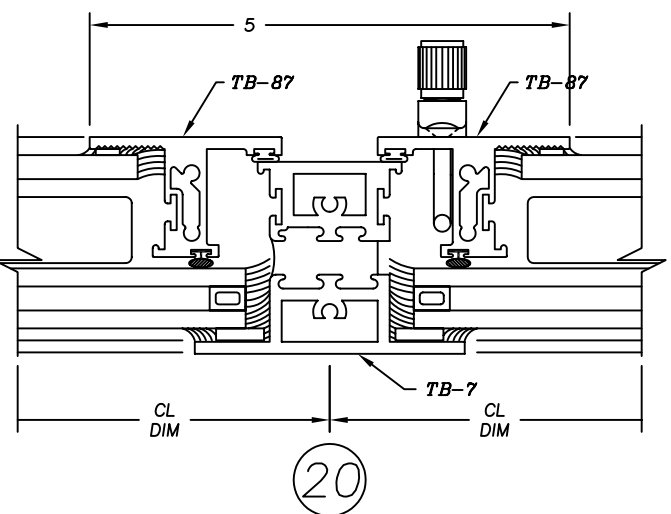
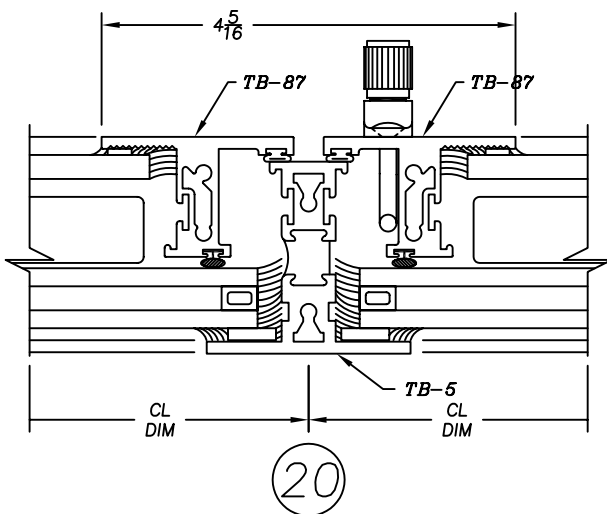
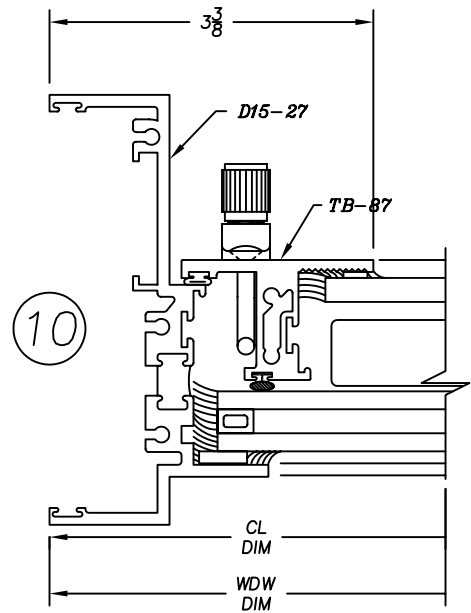
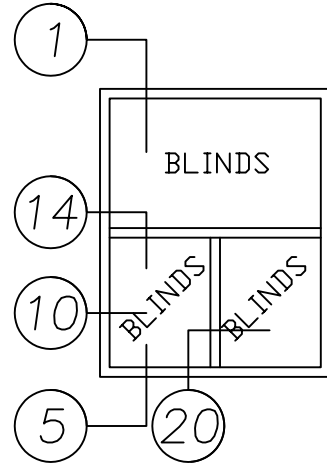
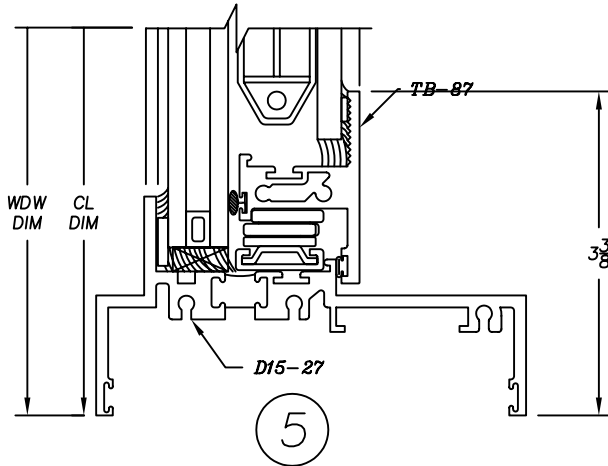
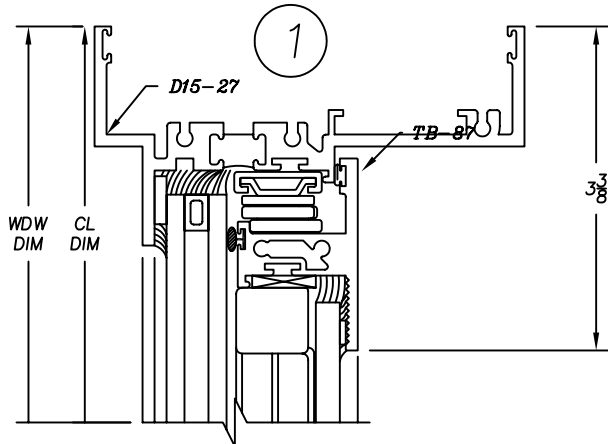
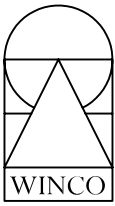


1585H Series

4-1/2" Heavy Commercial
Thermally Improved Blind Window

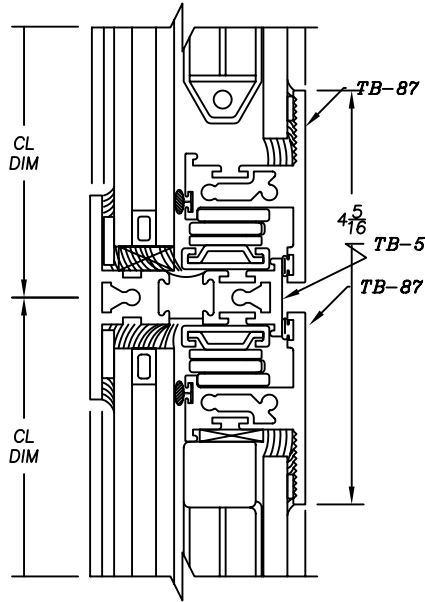




1585H Series

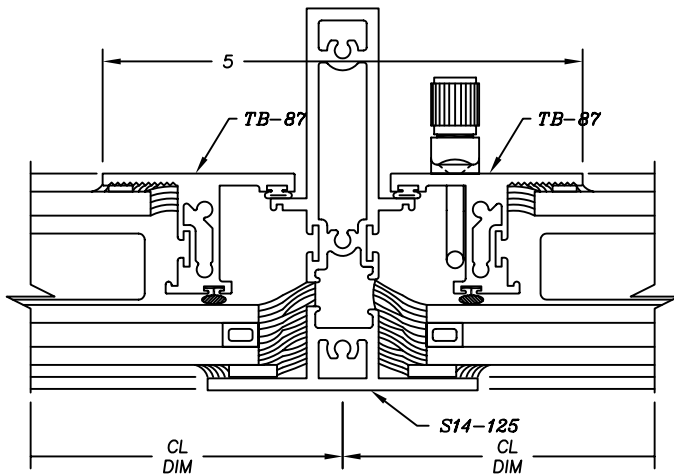
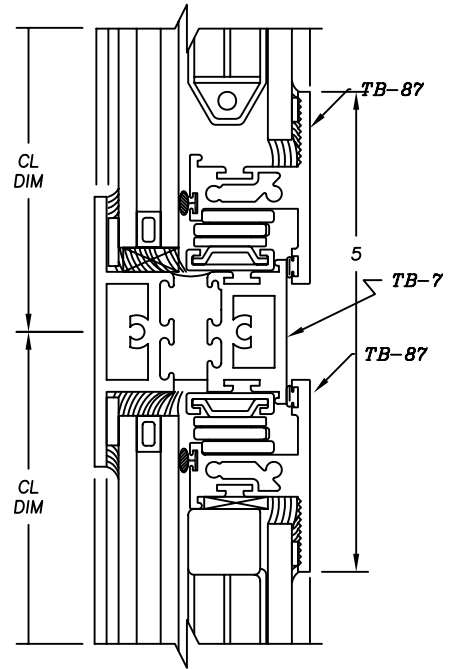
4-1/2" Heavy Commercial
Thermally Improved Blind Window

14



14

HEAVY RAIL



14

