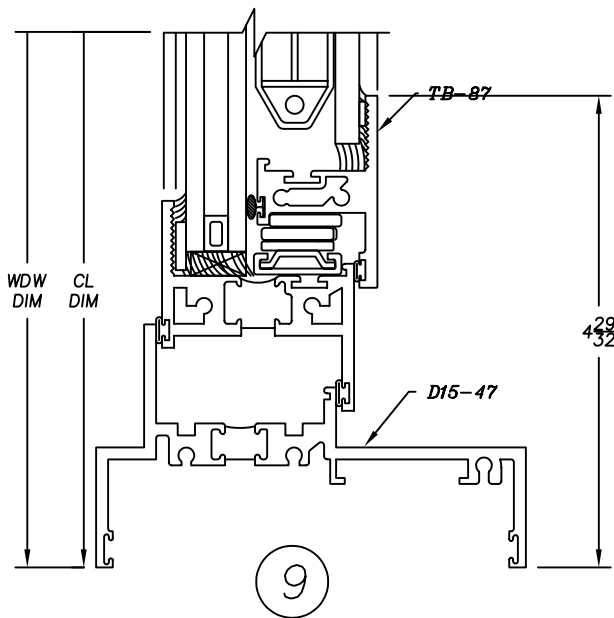
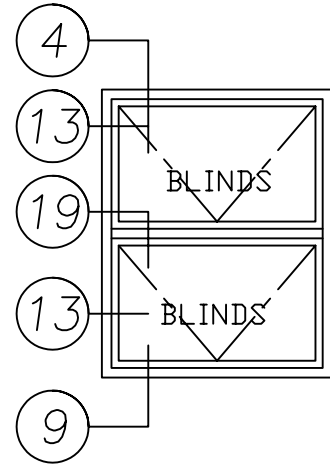
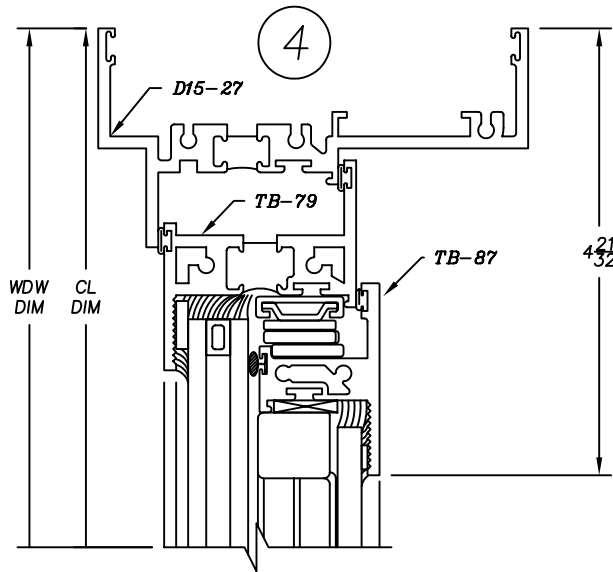
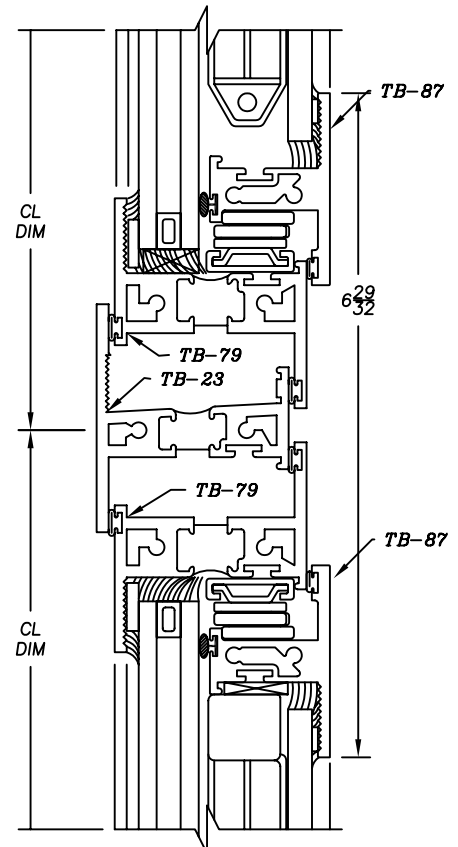


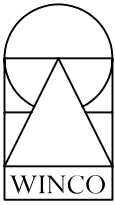
1585H Series

4-1/2" Heavy Commercial
Thermally Improved Blind Window



19





1585H Series

4-1/2" Heavy Commercial
Thermally Improved Blind Window

