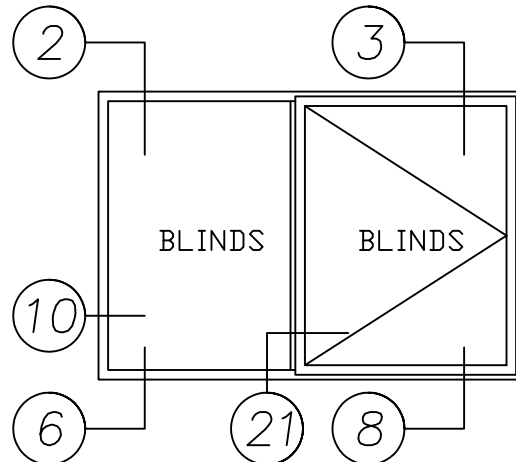
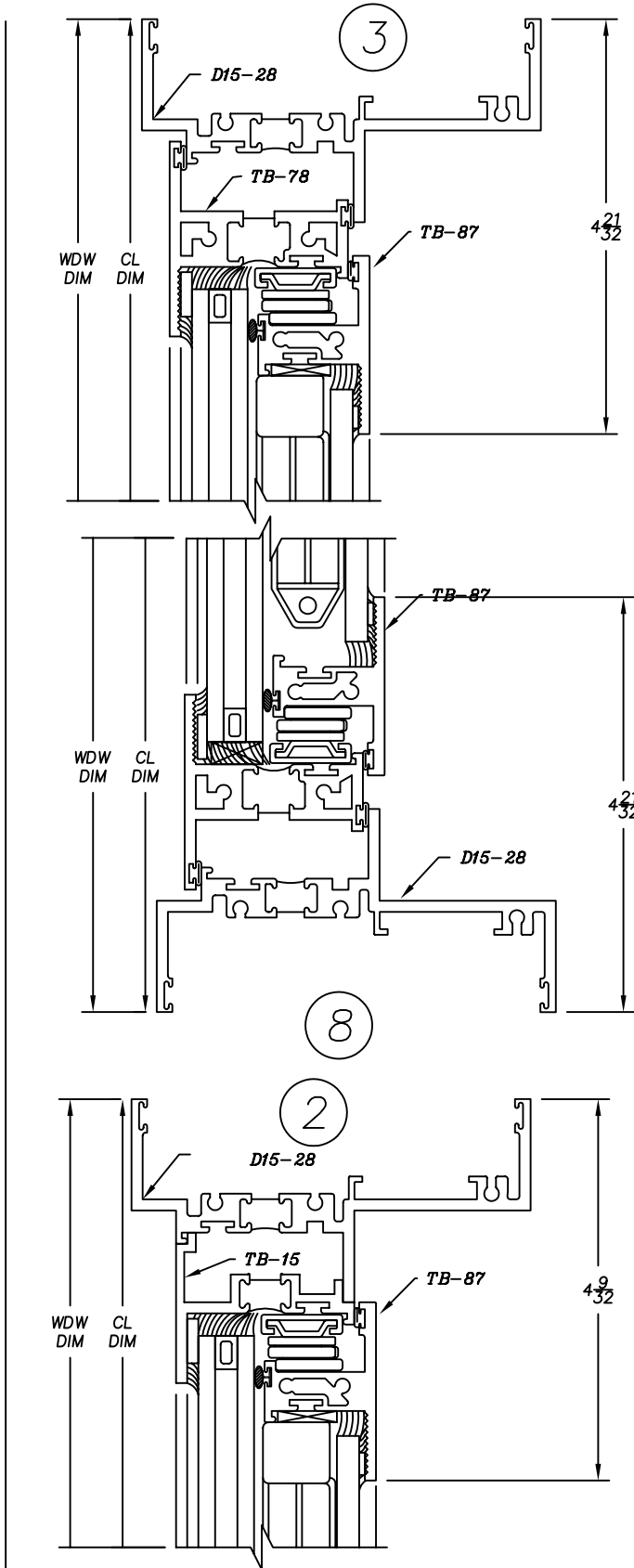
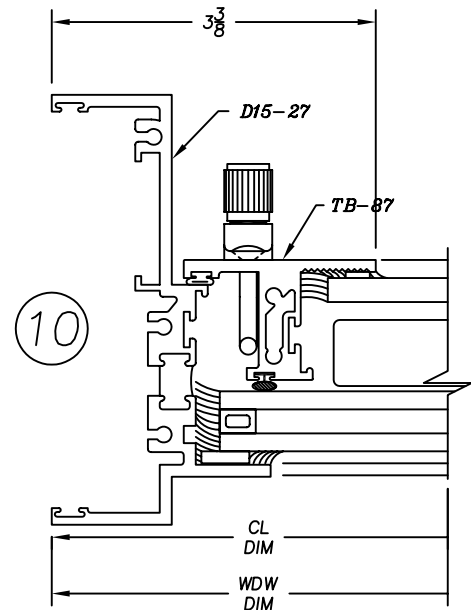
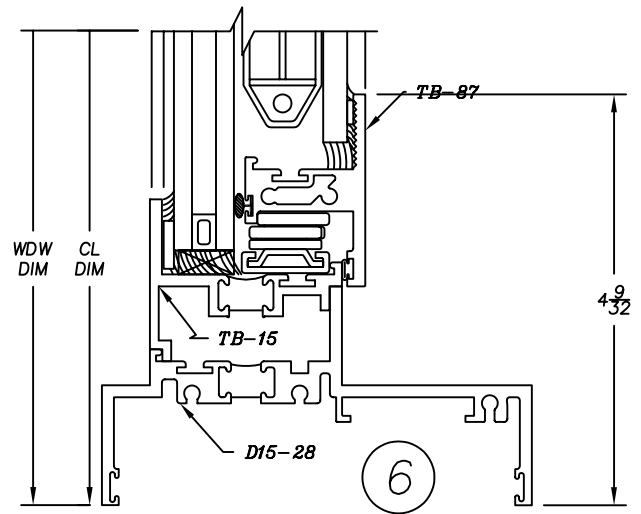


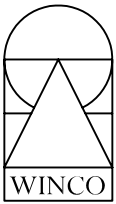
1585H Series

4-1/2" Heavy Commercial
Thermally Improved Blind Window



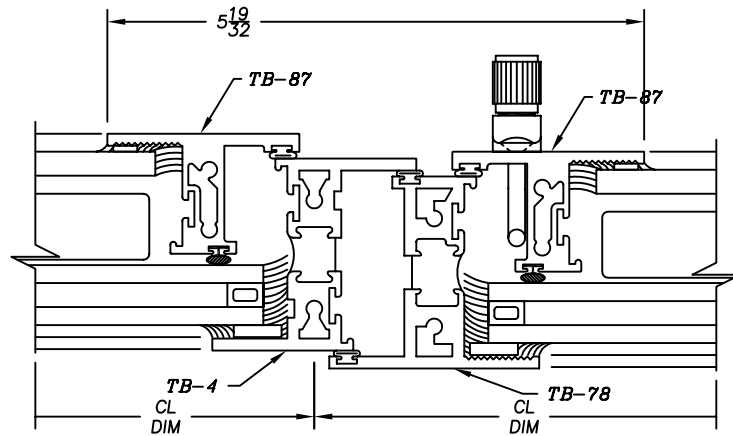
Fixed/Right Hand Out-Swing Casement



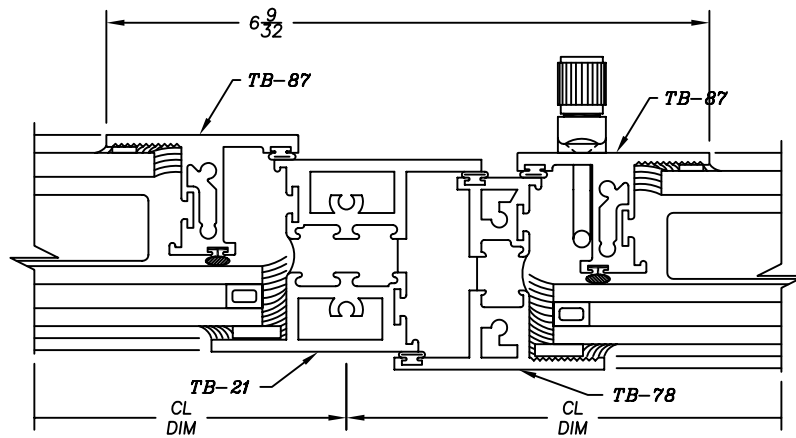


1585H Series

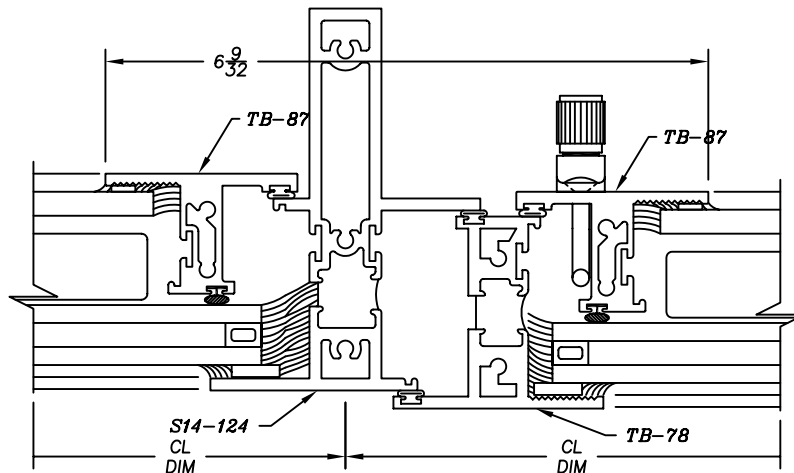
4-1/2" Heavy Commercial
Thermally Improved Blind Window



21



21 HEAVY RAIL



21