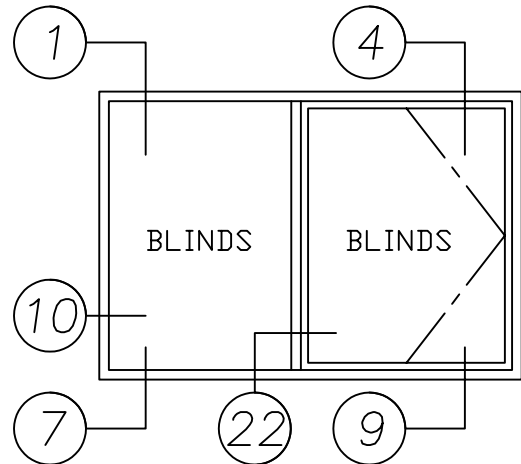
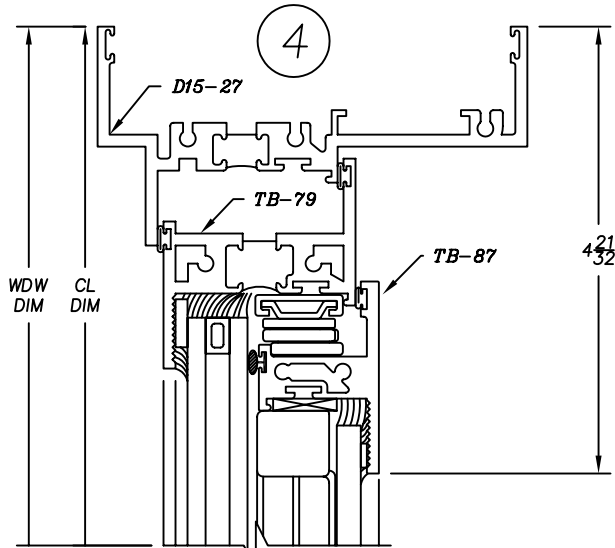
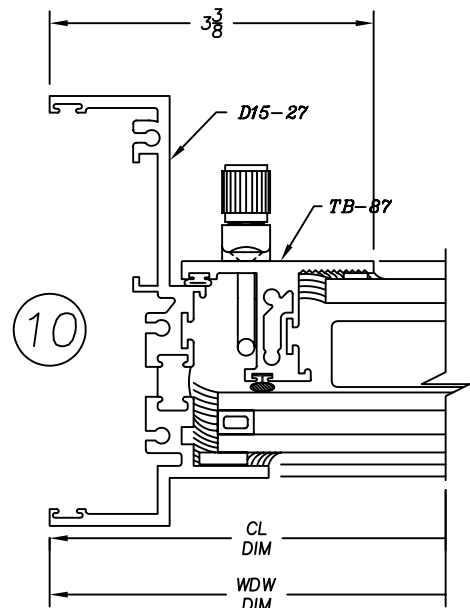
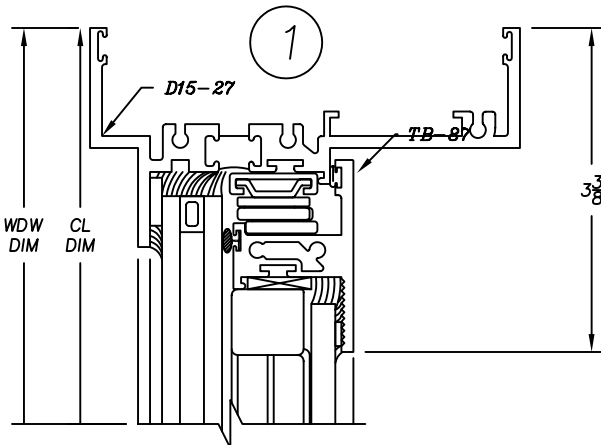
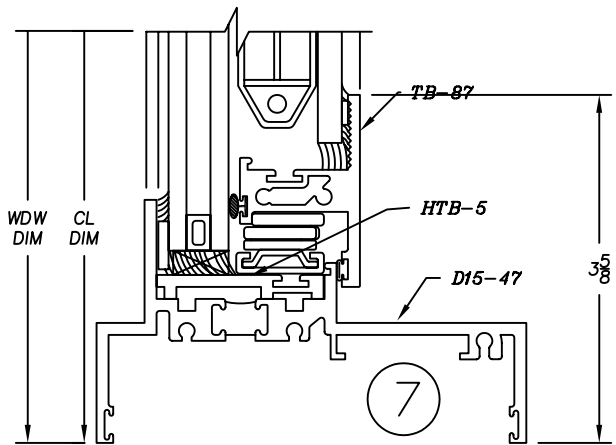
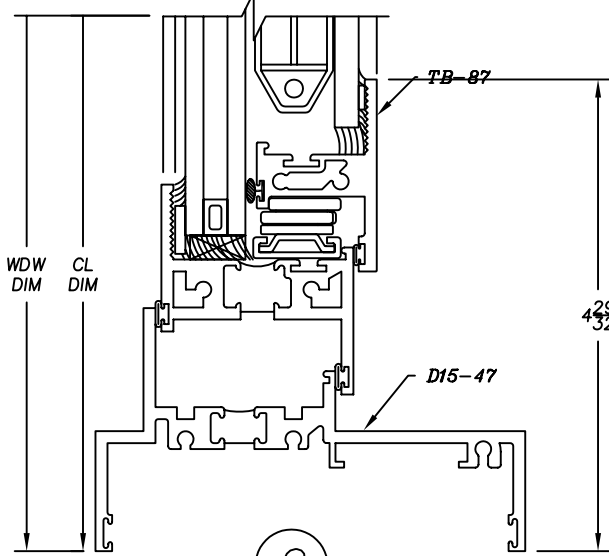


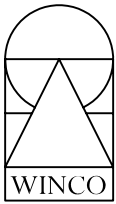
1585H Series

4-1/2" Heavy Commercial
Thermally Improved Blind Window



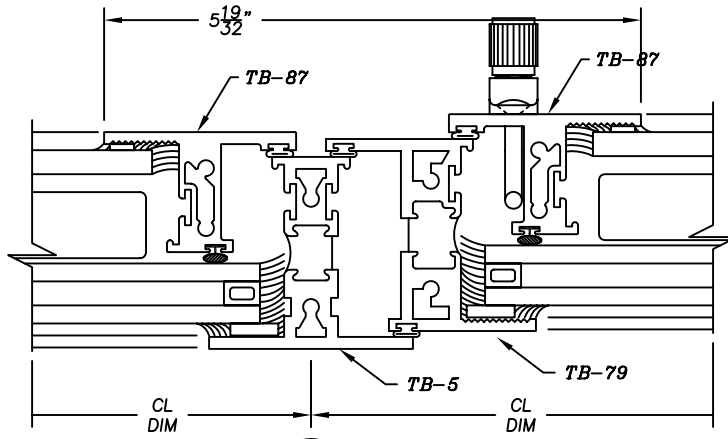
Fixed/Right Hand In-Swing Casement



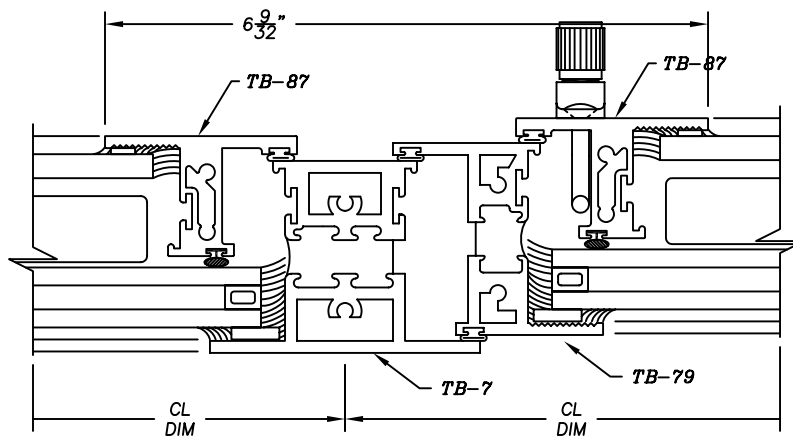


1585H Series

4-1/2" Heavy Commercial
Thermally Improved Blind Window

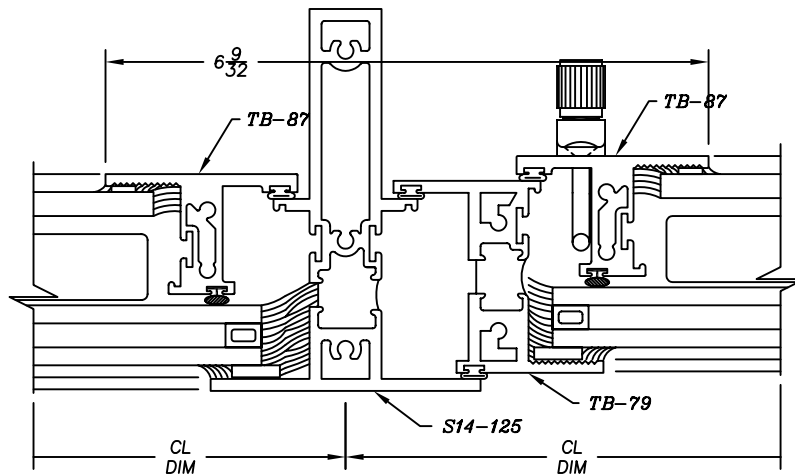


22



22

HEAVY RAIL



22