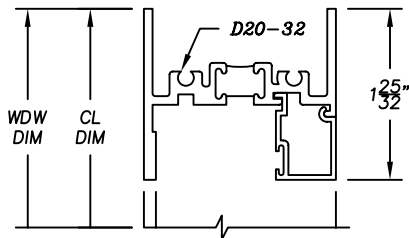


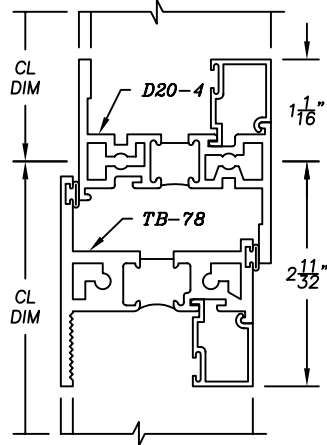
# 2250 Series

2" Heavy Commercial  
Thermally Improved Window

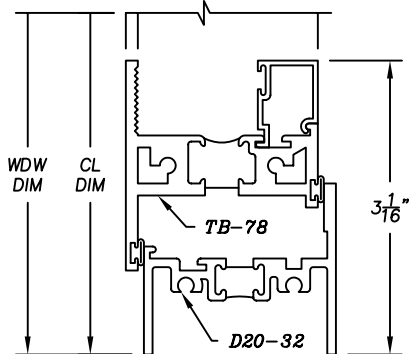
1



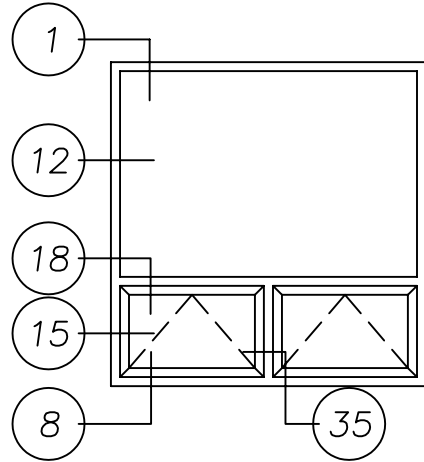
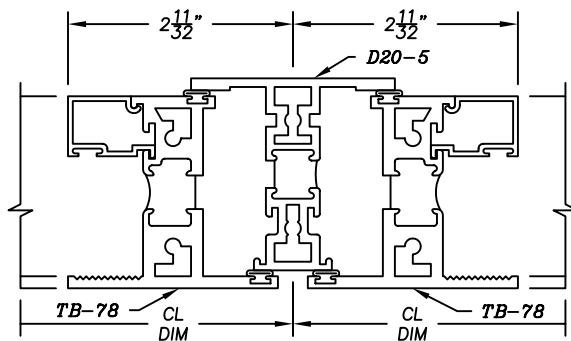
18



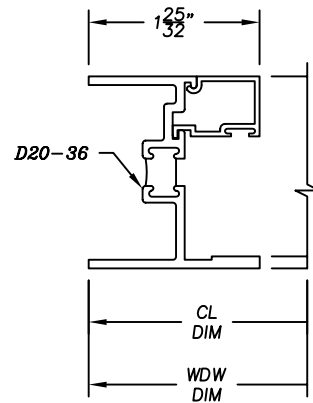
8



35



12



15

