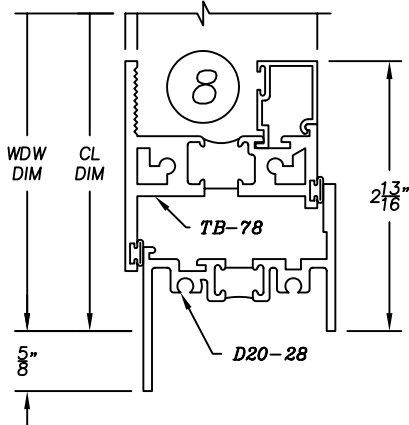
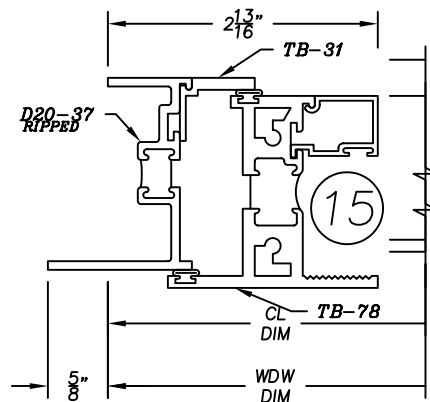
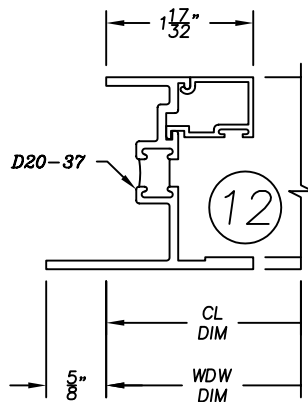
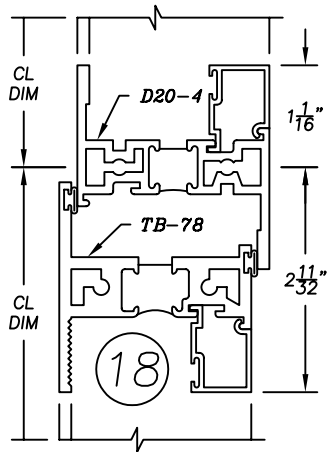
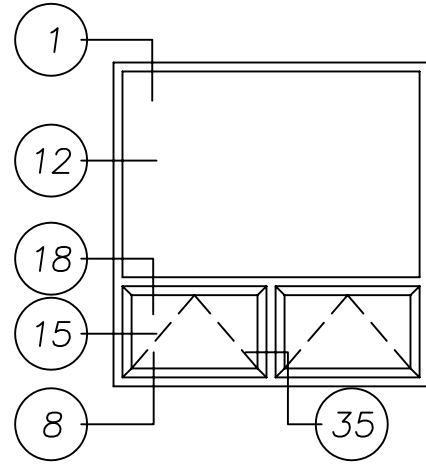
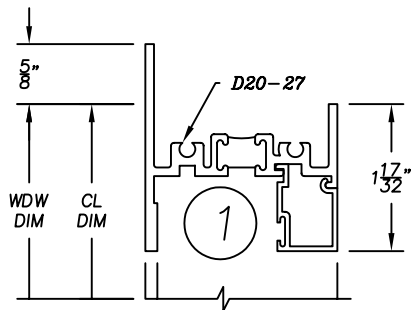


2250 Series

2" Heavy Commercial
Thermally Improved Window



35

