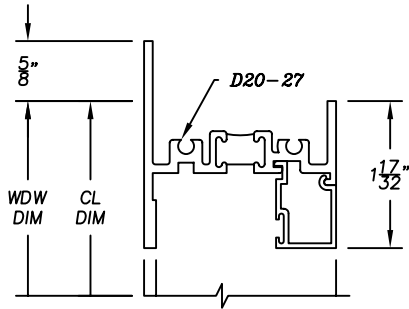


2250 Series

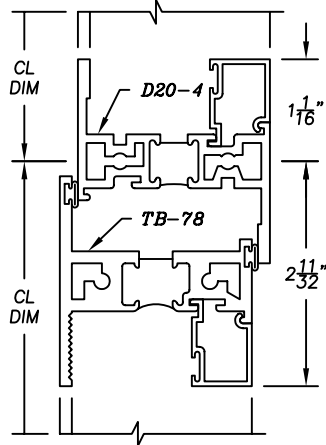
2" Heavy Commercial

Thermally Improved Window

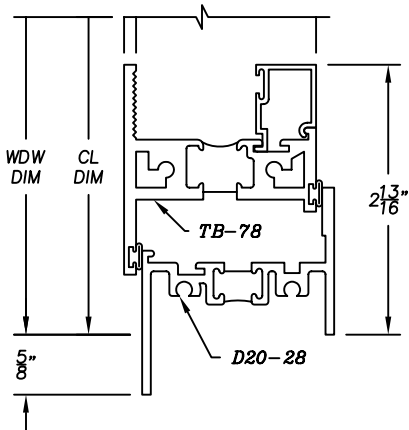
1



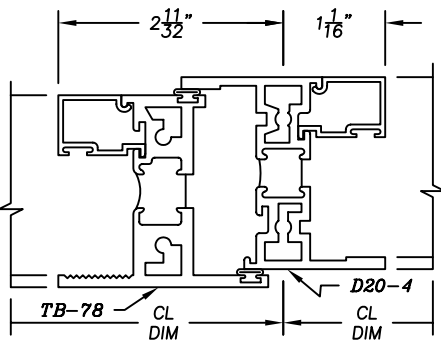
18



8



36



1

12

18

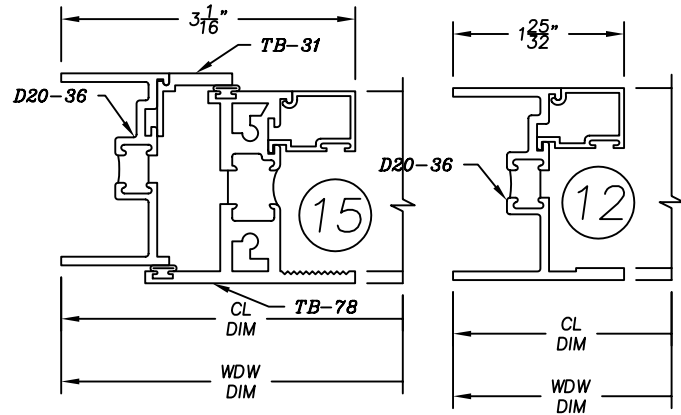
15

8

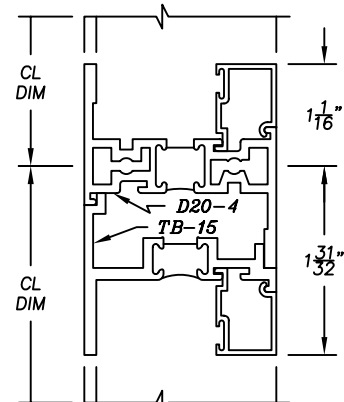
33

36

9



33



9

