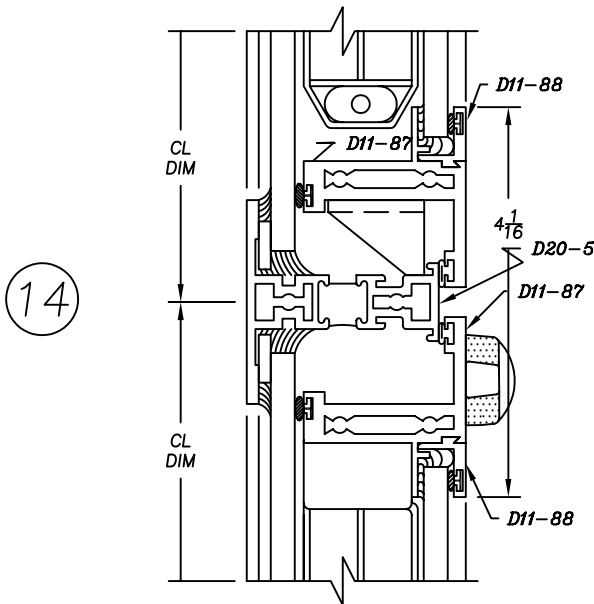
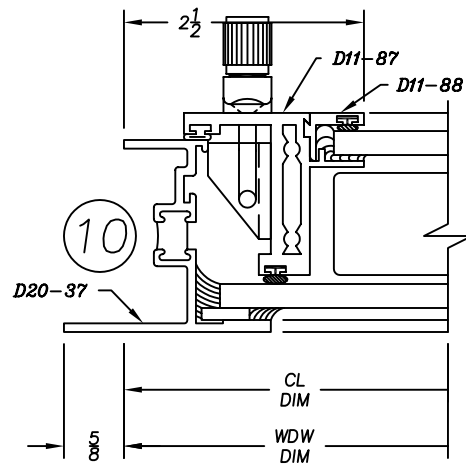
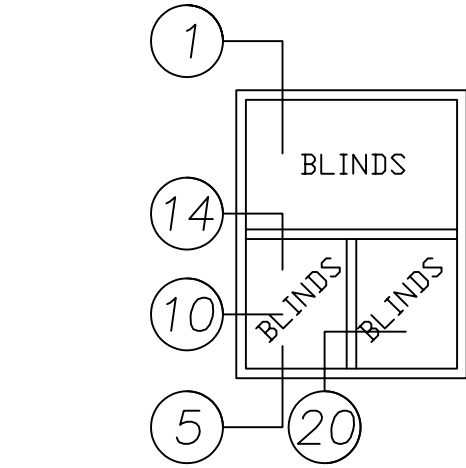
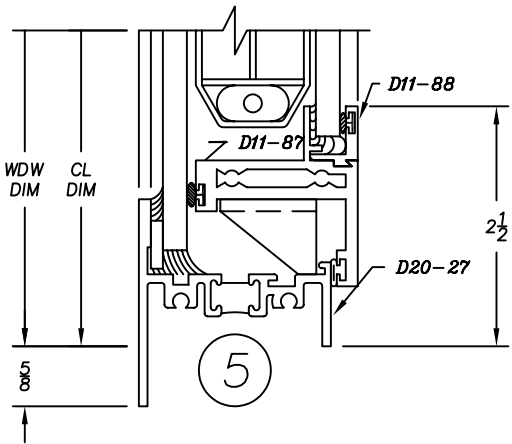
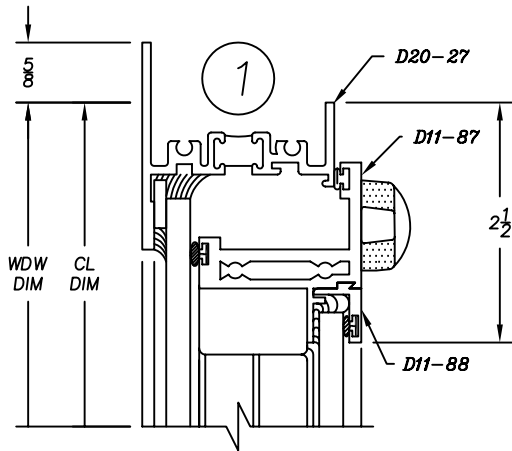


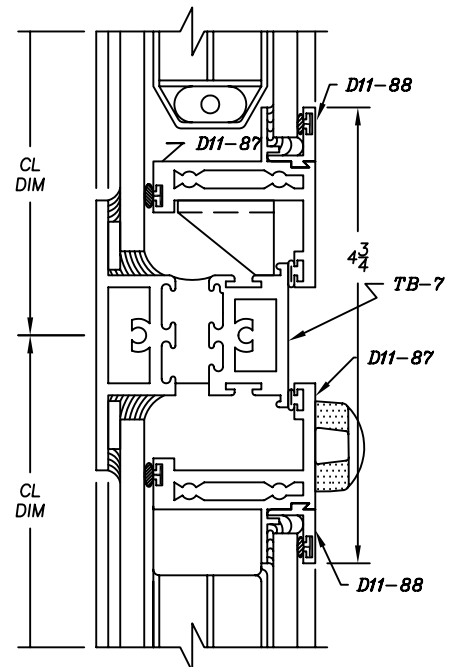
# 2265 Series

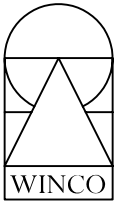
2" Heavy Commercial

Thermally Improved Blind Window



14  
HEAVY RAIL





# 2265 Series

2" Heavy Commercial  
Thermally Improved Blind Window

