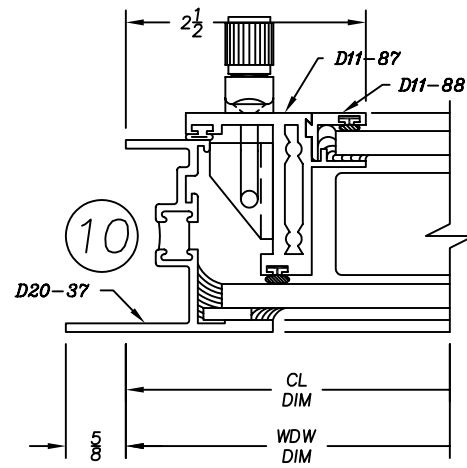
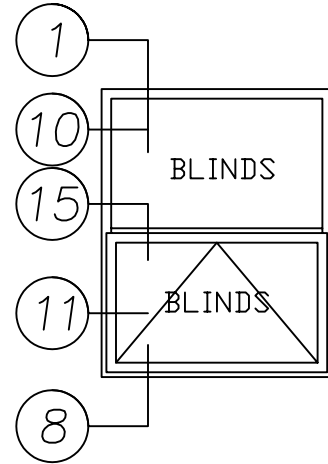
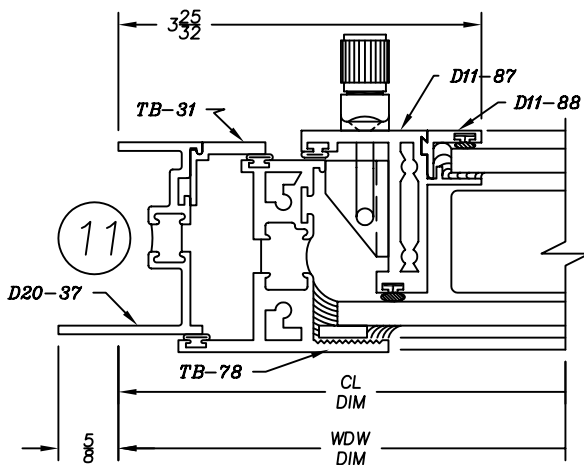
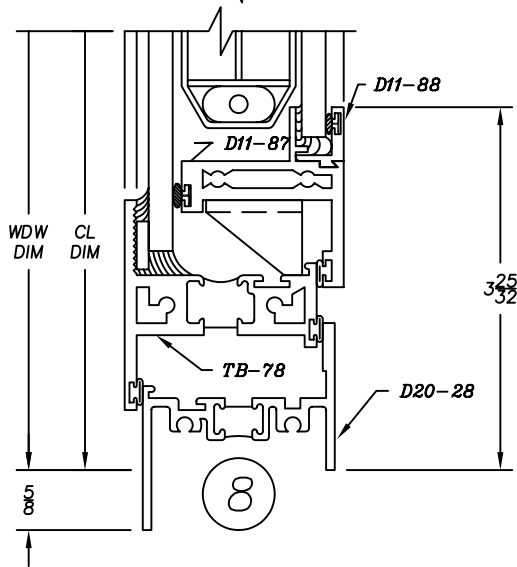
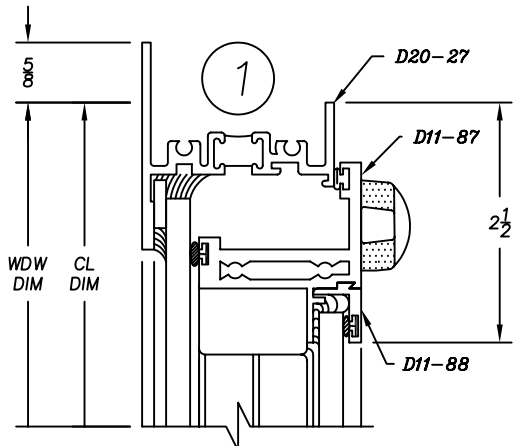
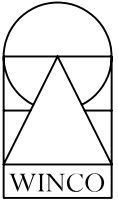


2265 Series

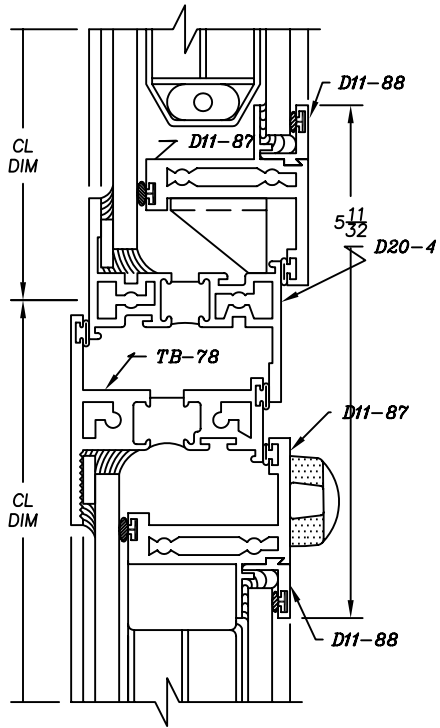
2" Heavy Commercial
Thermally Improved Blind Window





2265 Series

2" Heavy Commercial
Thermally Improved Blind Window



15
HEAVY RAIL

