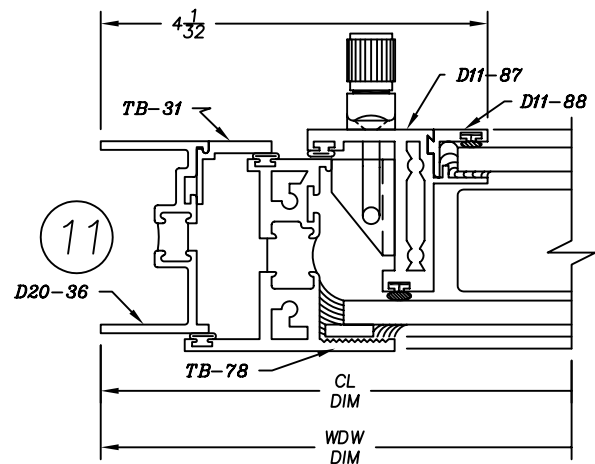
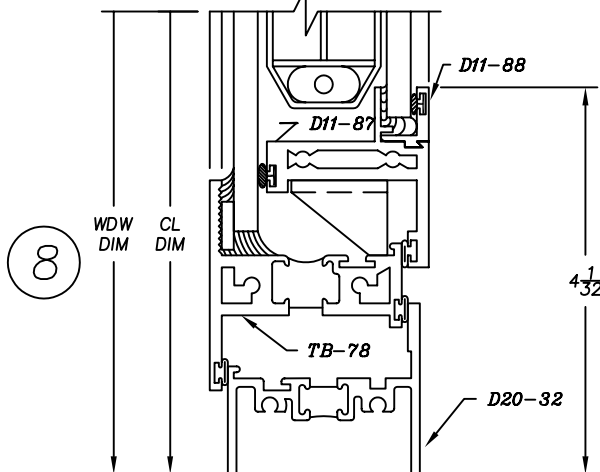
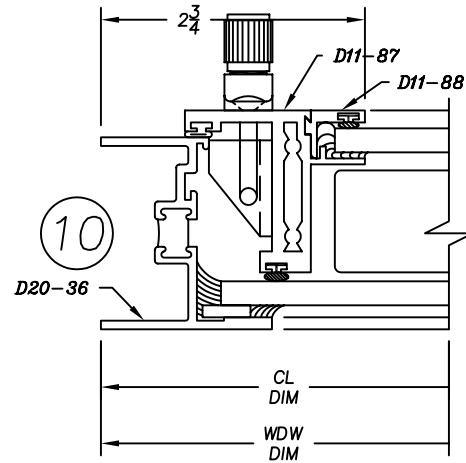
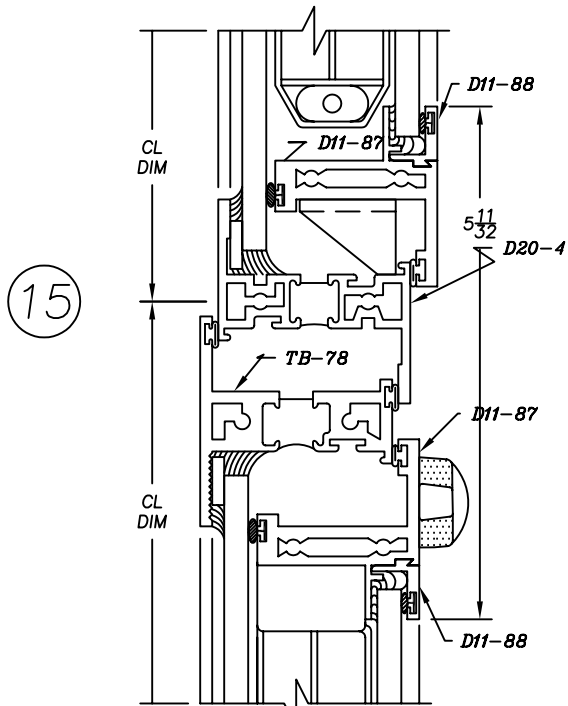
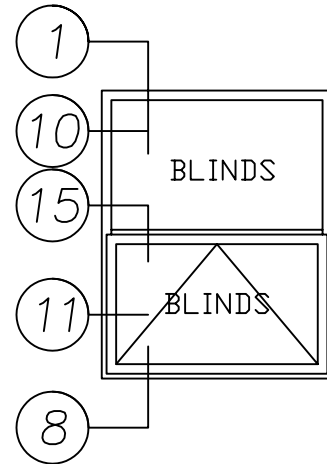
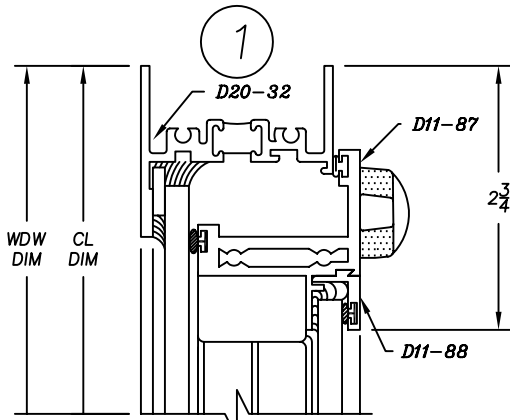
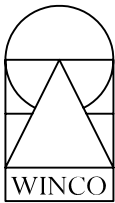


# 2265 Series

2" Heavy Commercial

Thermally Improved Blind Window





# 2265 Series

2" Heavy Commercial  
Thermally Improved Blind Window

15  
HEAVY RAIL

