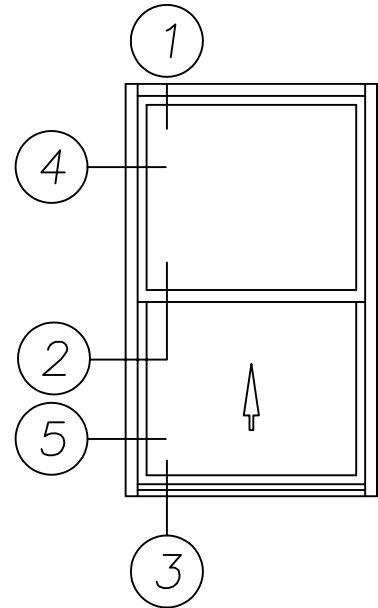
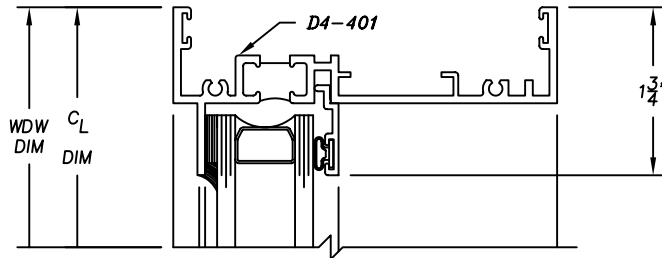


# 4410H Series

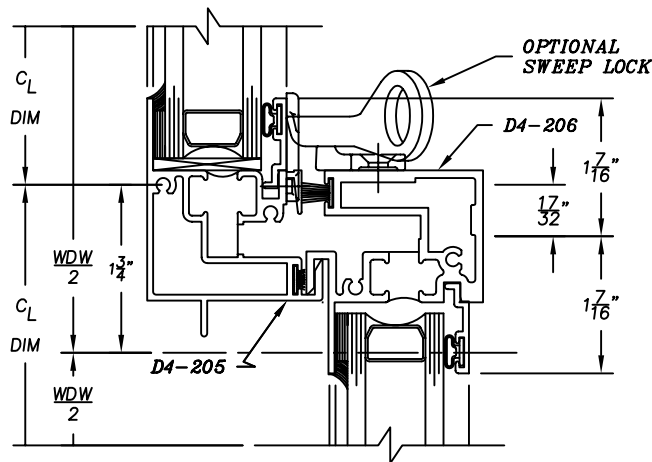
4" Heavy Commercial

Thermally Improved Single Hung Window

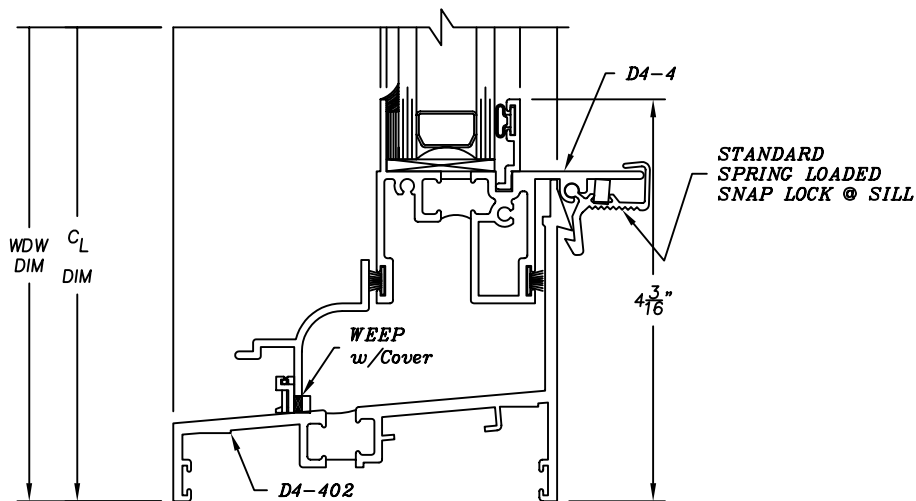
1

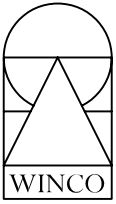


2



3

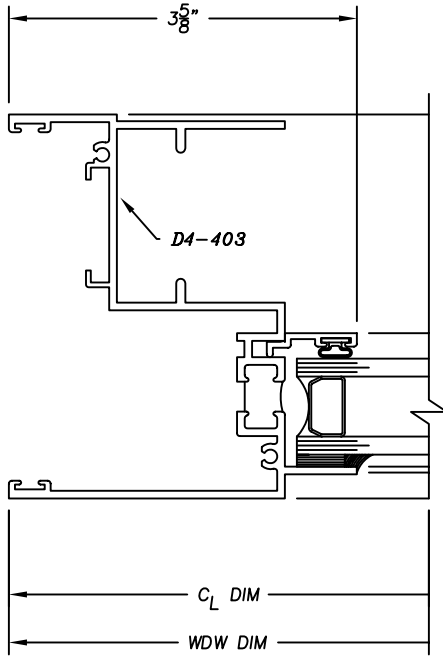




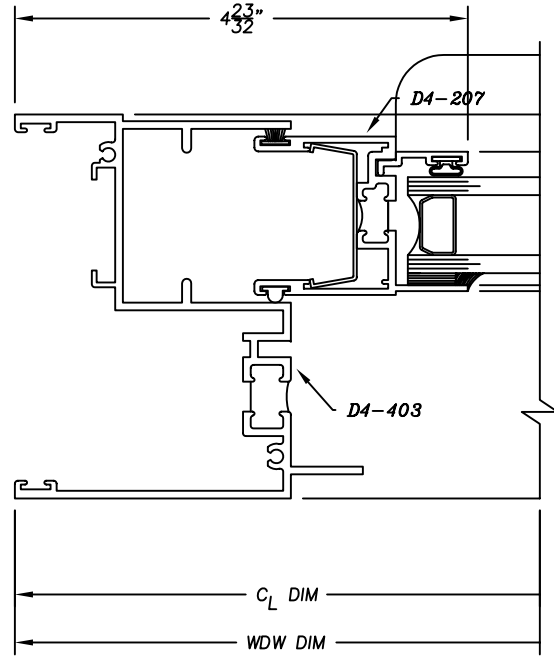
# 4410H Series

4" Heavy Commercial

Thermally Improved Single Hung Window



4



5