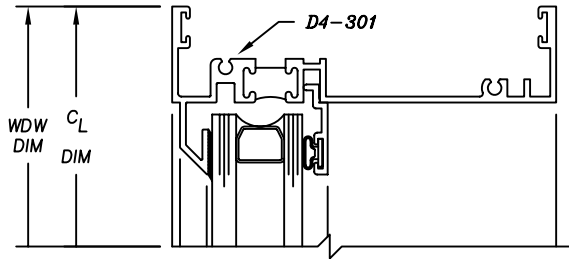


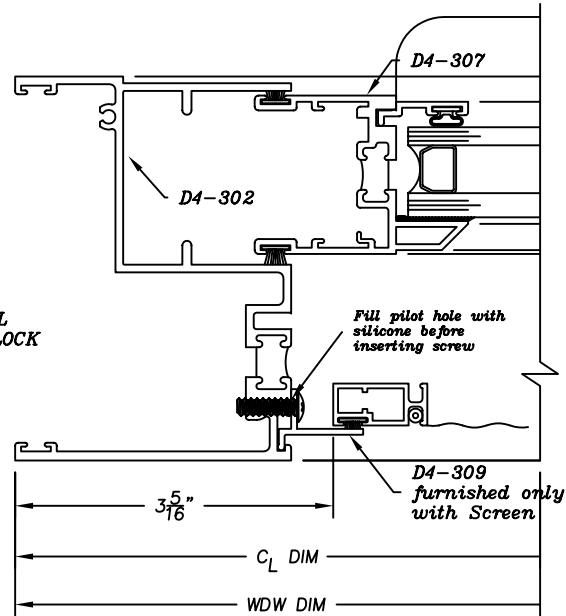
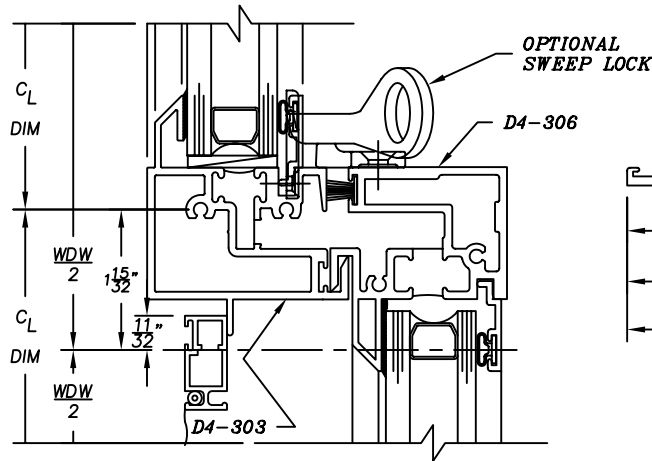
4410S Series

4" Heavy Commercial - Sloped Sash
Thermally Improved Single Hung Window

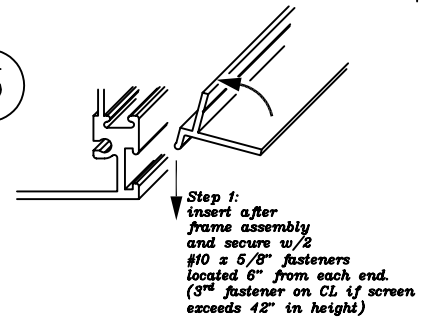
1



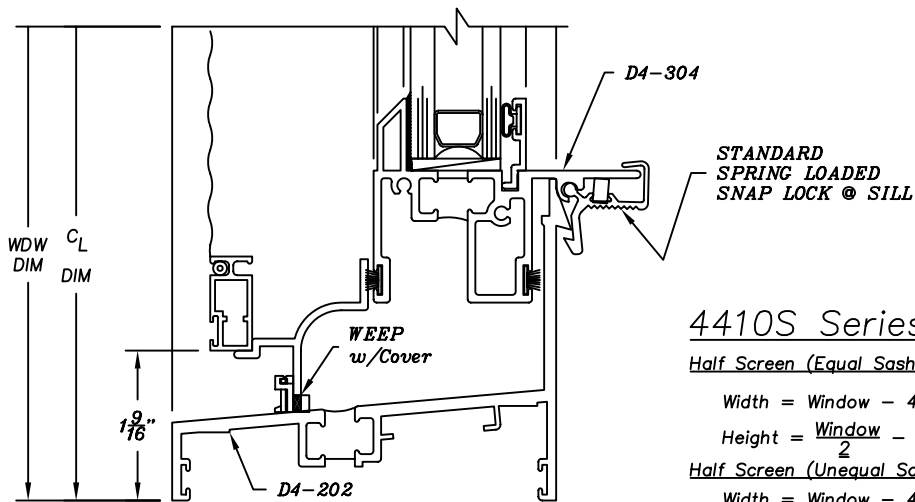
2



5



3



4410S Series Screen Rules

Half Screen (Equal Sash)

$$\text{Width} = \text{Window} - 4\frac{5}{8}"$$

$$\text{Height} = \frac{\text{Window}}{2} - 1\frac{29}{32}"$$

Half Screen (Unequal Sash)

$$\text{Width} = \text{Window} - 4\frac{5}{8}"$$

$$\text{Height} = \text{Sash } C_L - 3\frac{3}{32}"$$