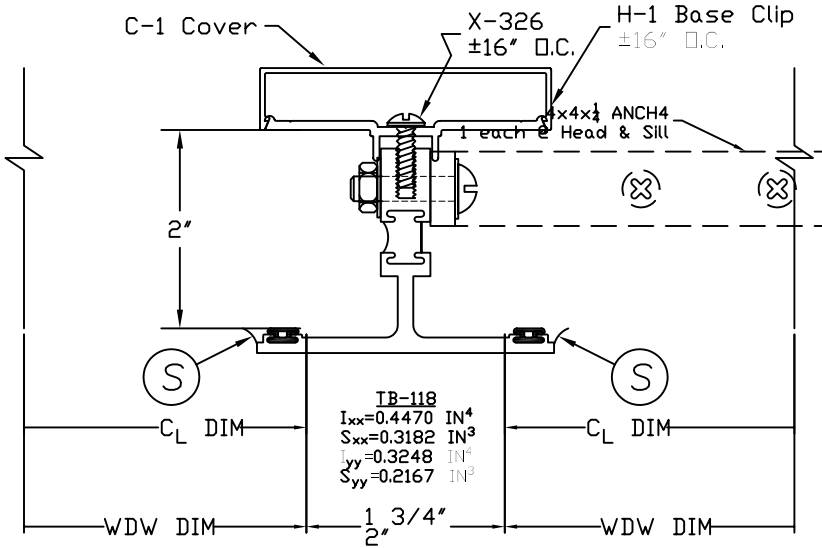
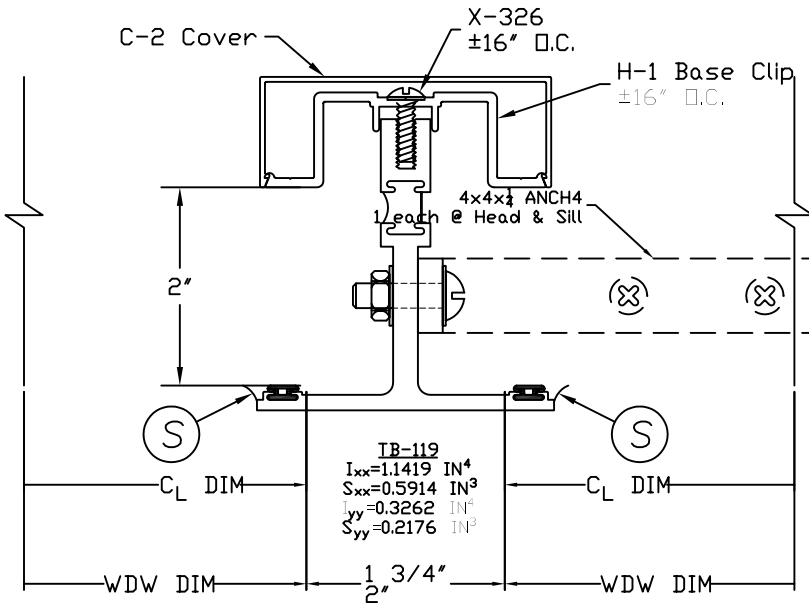


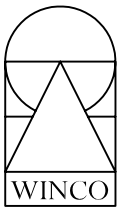
Mullions



TB-118
 2" deep windows
 (1100, 1150, 2200
 & 2250 Series)

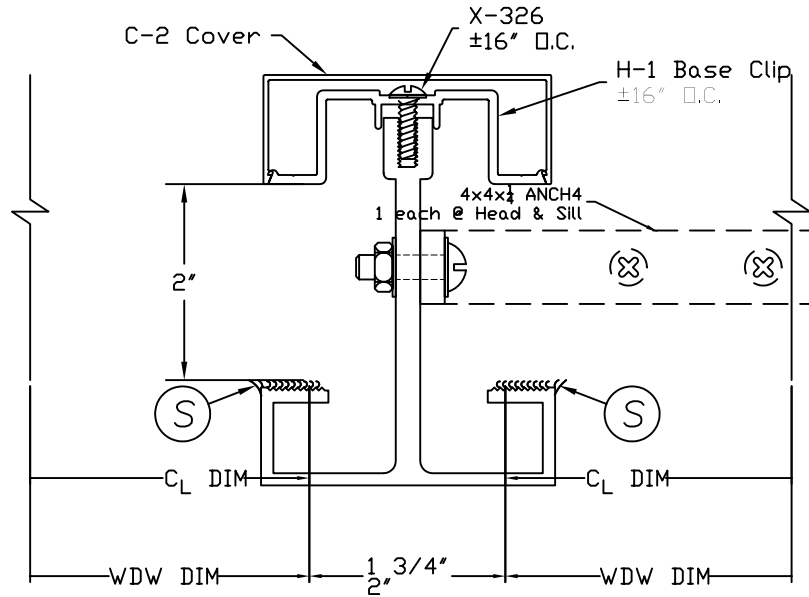


TB-119
 2" deep windows
 (1100, 1150, 2200
 & 2250 Series)



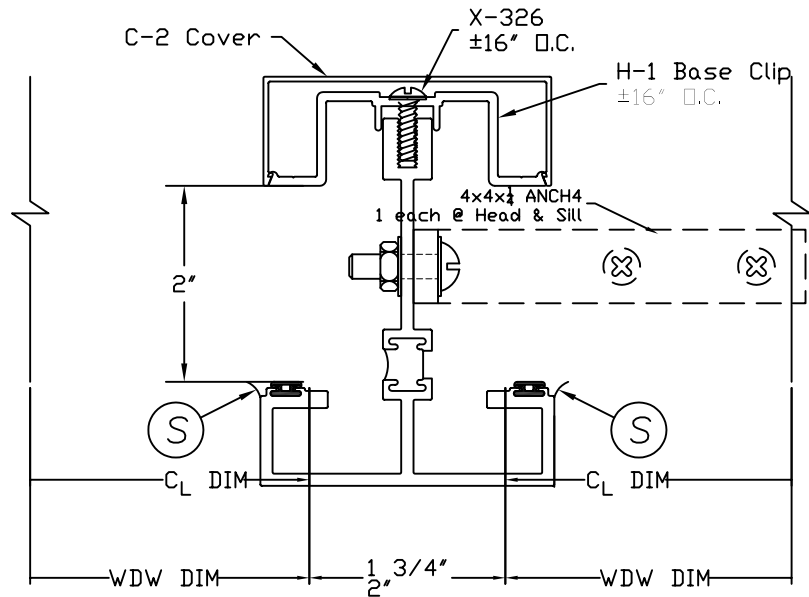
Mullions

D8-44
2" deep windows
(1100, 1150, 2200
& 2250 Series)

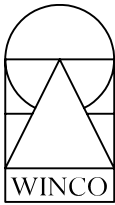


D8-44
 $I_{xx}=2.4109 \text{ IN}^4$
 $S_{xx}=0.9919 \text{ IN}^3$
 $I_{yy}=0.9324 \text{ IN}^4$
 $S_{yy}=0.6216 \text{ IN}^3$

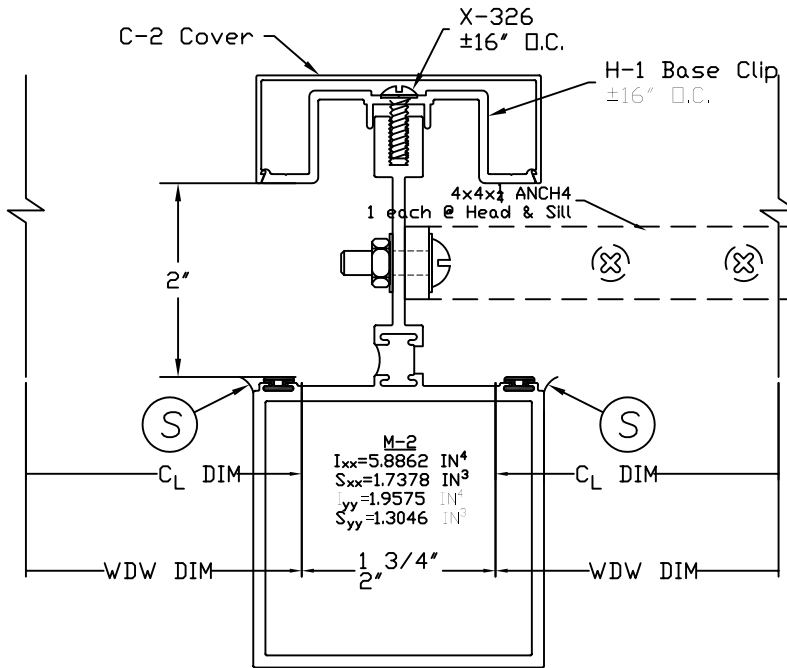
M-1
2" deep windows
(1100, 1150, 2200
& 2250 Series)



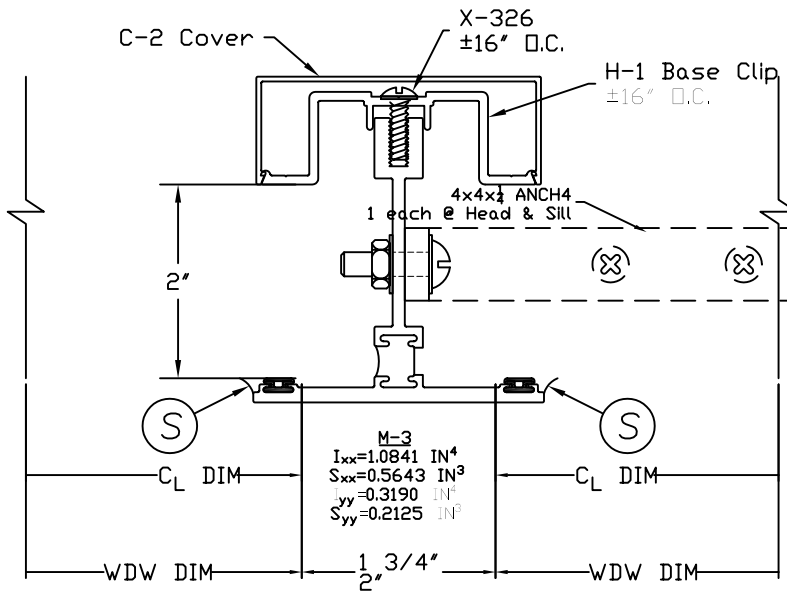
M-1
 $I_{xx}=2.0789 \text{ IN}^4$
 $S_{xx}=0.8249 \text{ IN}^3$
 $I_{yy}=0.9275 \text{ IN}^4$
 $S_{yy}=0.0618 \text{ IN}^3$



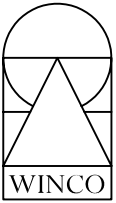
Mullions



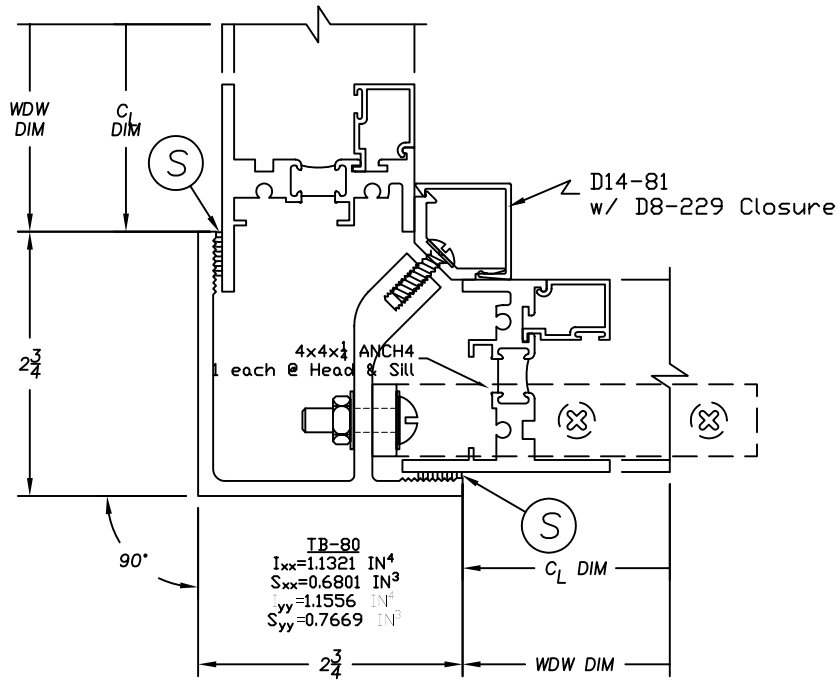
M-2
 2" deep windows
 (1100, 1150, 2200
 & 2250 Series)



M-3
 2" deep windows
 (1100, 1150, 2200
 & 2250 Series)

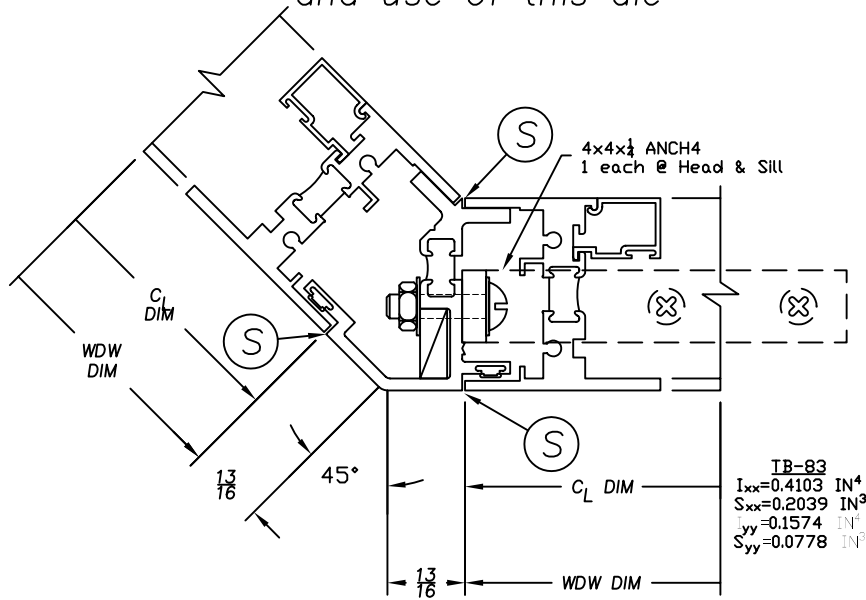


Mullions



*TB-80 (Non Thermal Mullion)
(1100, 1150, 2200 & 2250 Series – 2" deep windows)*

*Consult WINCO for availability
and use of this die*



*TB-83 (Thermal 45° Mullion)
(1100, 1150, 2200 & 2250 Series – 2" deep windows)*

*Consult WINCO for availability
and use of this die*