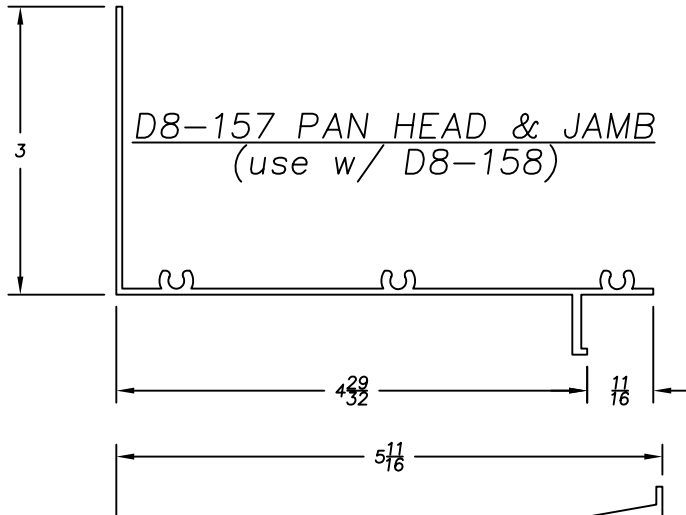
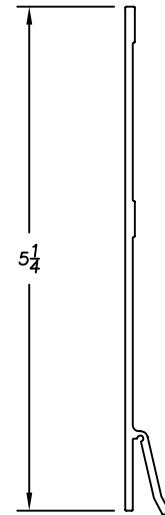


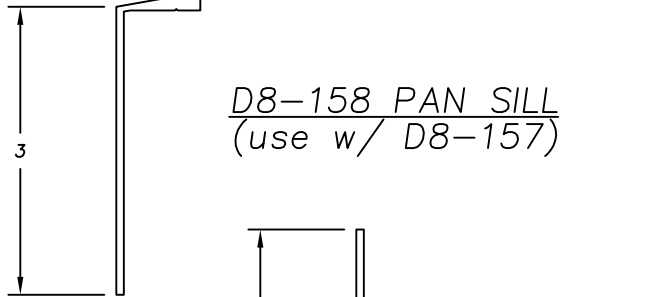
Replacement Pan Systems



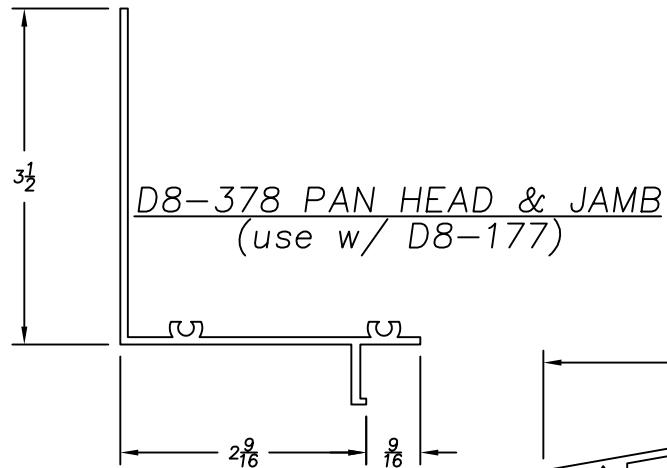
D8-157 PAN HEAD & JAMB
(use w/ D8-158)



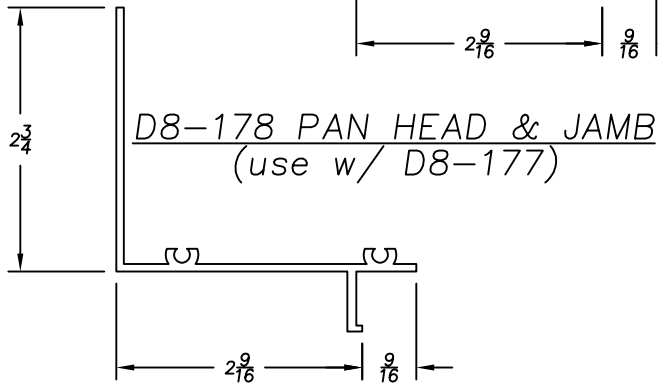
D8-159 PAN EXTENDER



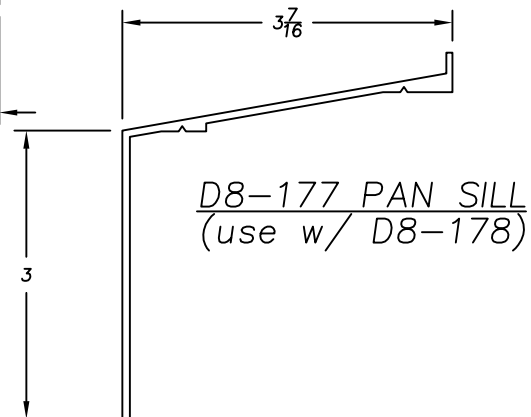
D8-158 PAN SILL
(use w/ D8-157)



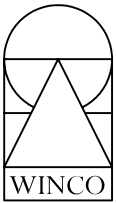
D8-378 PAN HEAD & JAMB
(use w/ D8-177)



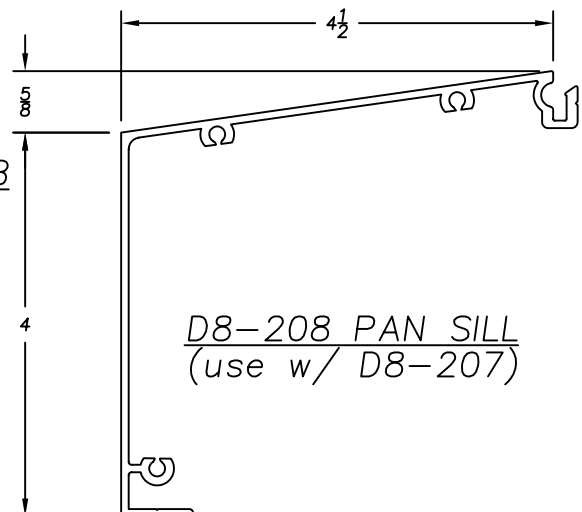
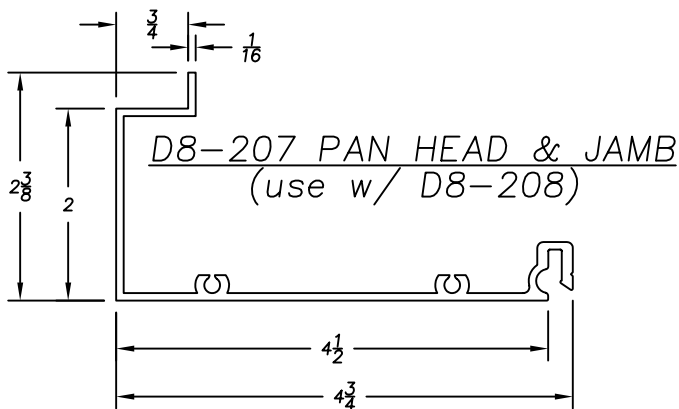
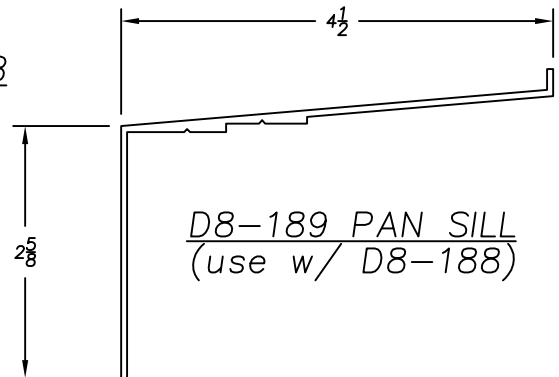
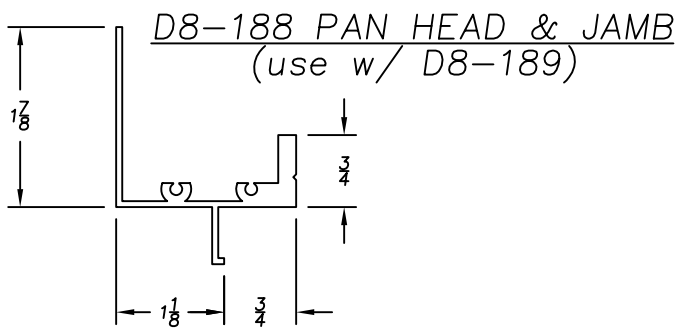
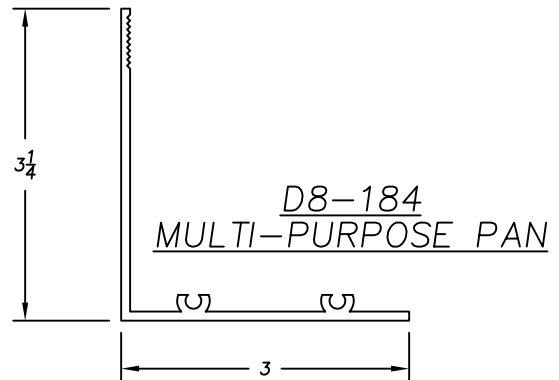
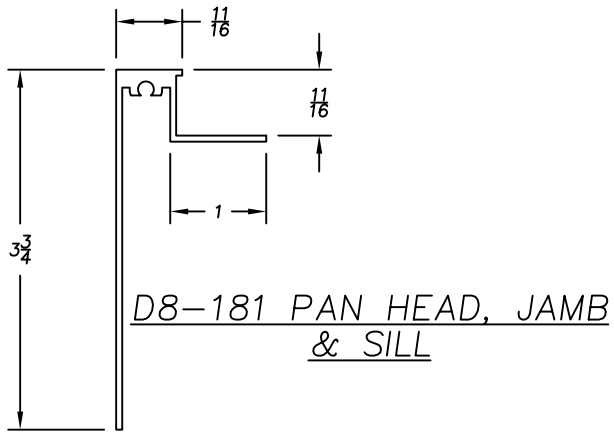
D8-178 PAN HEAD & JAMB
(use w/ D8-177)

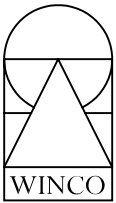


D8-177 PAN SILL
(use w/ D8-178)

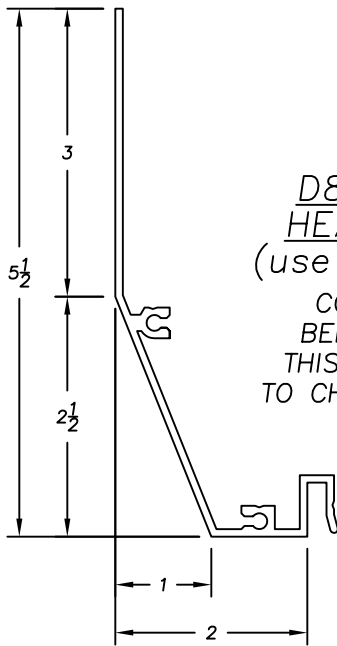


Replacement Pan Systems



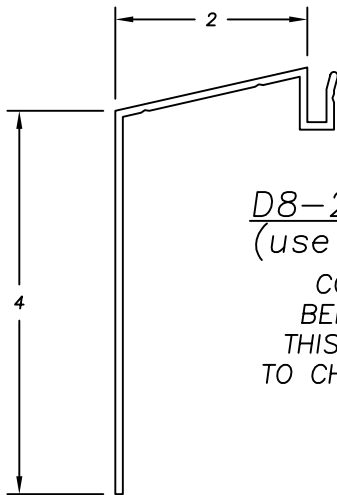


Replacement Pan Systems



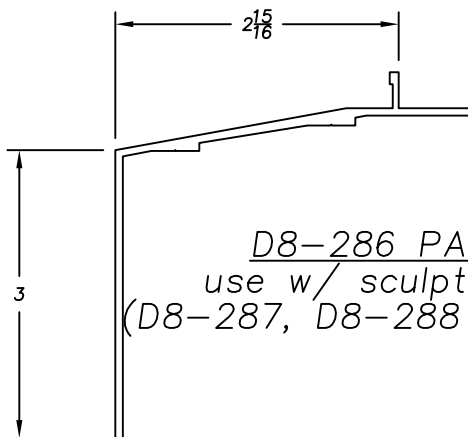
D8-248 PAN HEAD & JAMB
(use w/ D8-247)

CONTACT WINCO
BEFORE ORDERING
THIS PAN SELECTION
TO CHECK AVAILABILITY

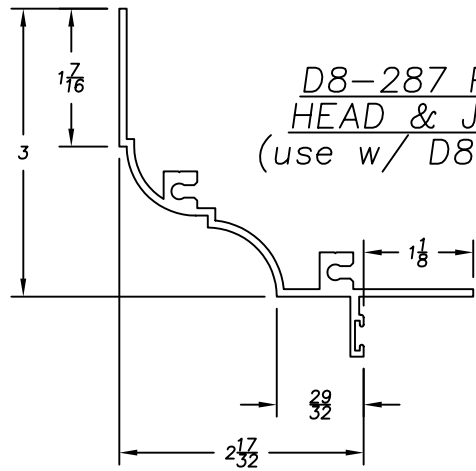


D8-247 PAN SILL
(use w/ D8-248)

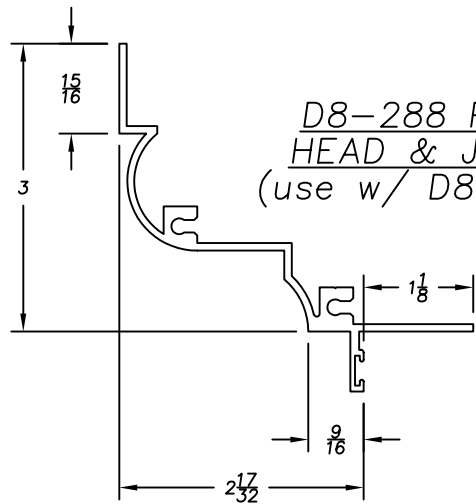
CONTACT WINCO
BEFORE ORDERING
THIS PAN SELECTION
TO CHECK AVAILABILITY



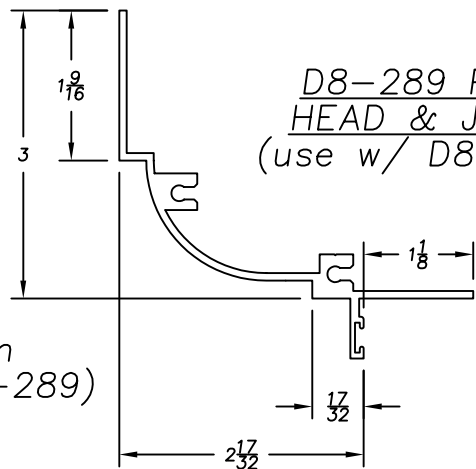
D8-286 PAN SILL
use w/ sculptured Pan
(D8-287, D8-288 & D8-289)



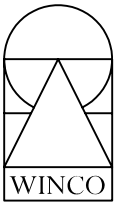
D8-287 PAN HEAD & JAMB
(use w/ D8-286)



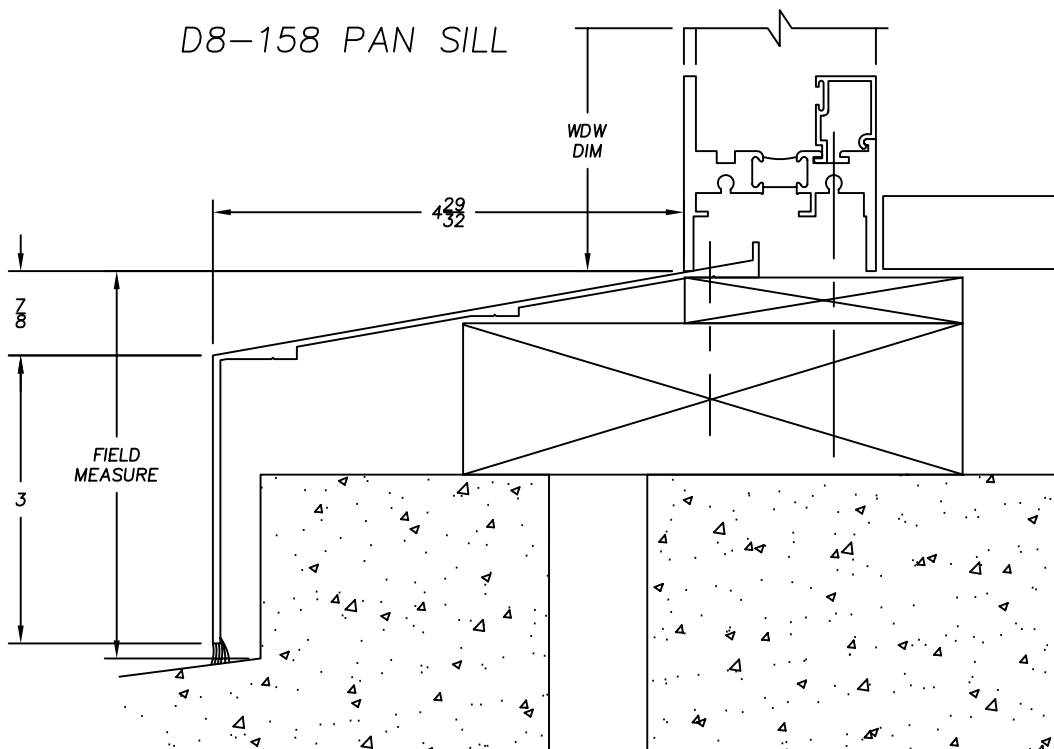
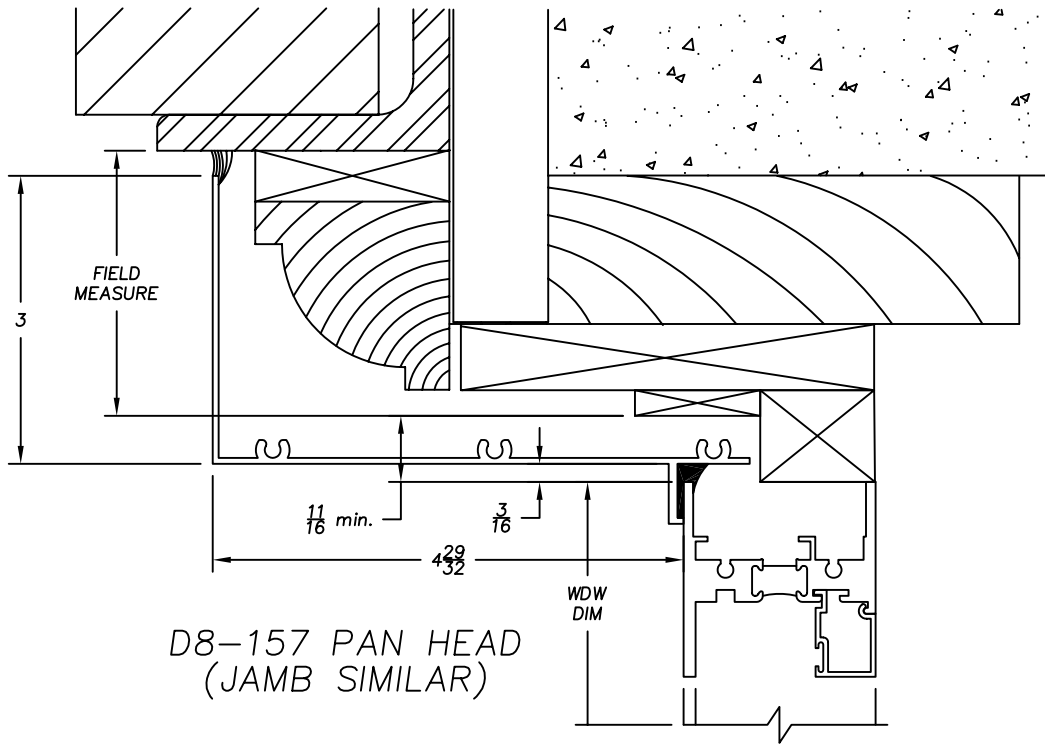
D8-288 PAN HEAD & JAMB
(use w/ D8-286)

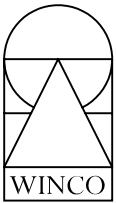


D8-289 PAN HEAD & JAMB
(use w/ D8-286)



Replacement Pan Systems





Replacement Pan Systems

