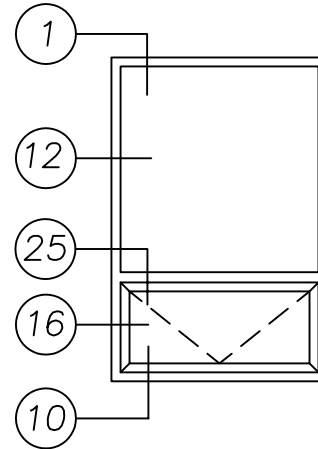
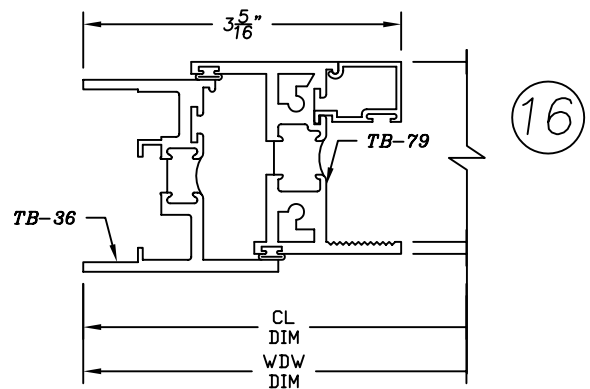
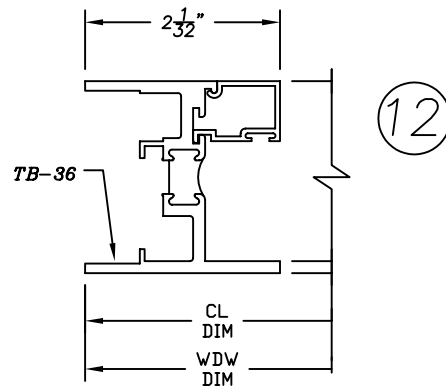
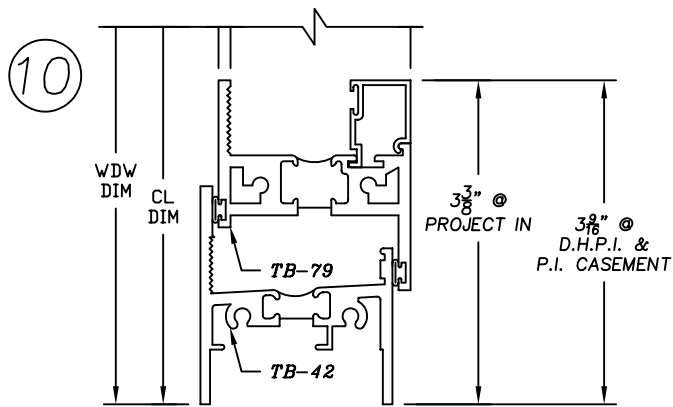
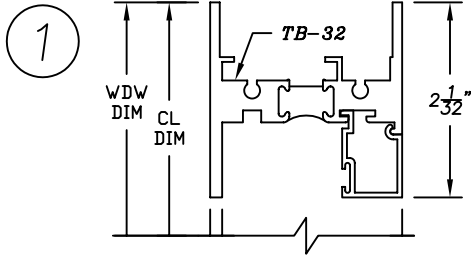
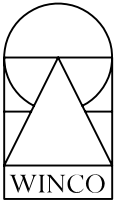


1150 Series

2" Heavy Commercial
Thermally Improved Window





1150 Series

2" Heavy Commercial
Thermally Improved Window

