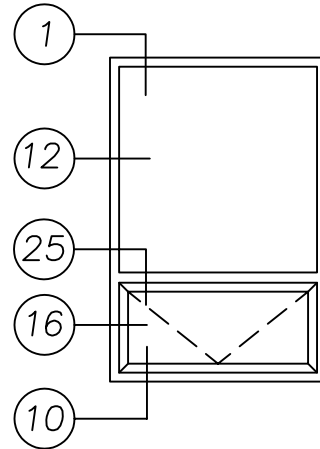
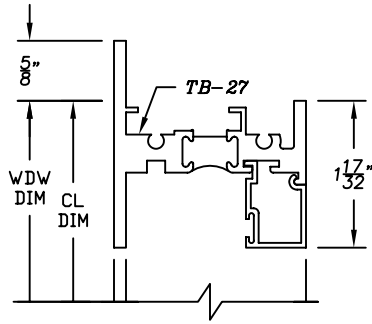


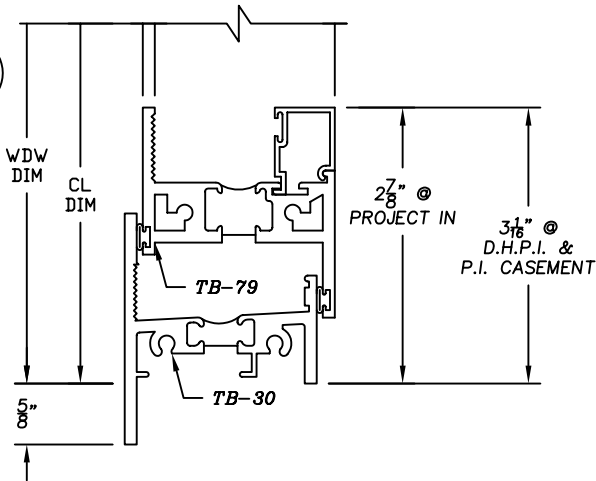
1150 Series

2" Heavy Commercial
Thermally Improved Window

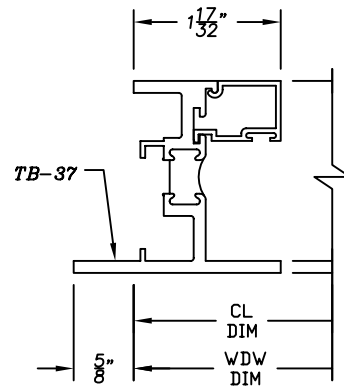
1



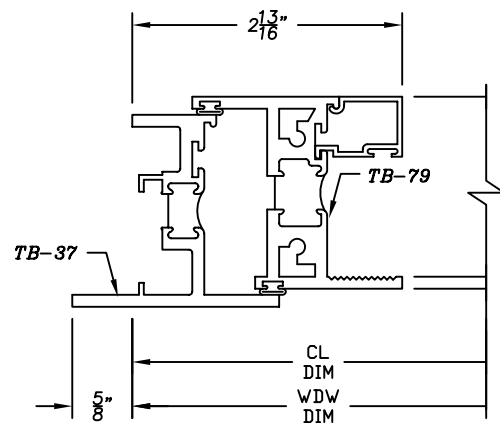
10

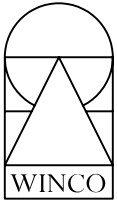


12



16





1150 Series

2" Heavy Commercial
Thermally Improved Window

