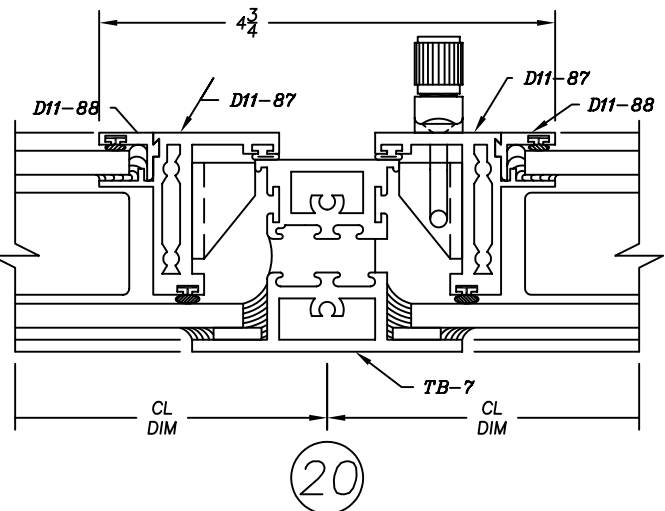
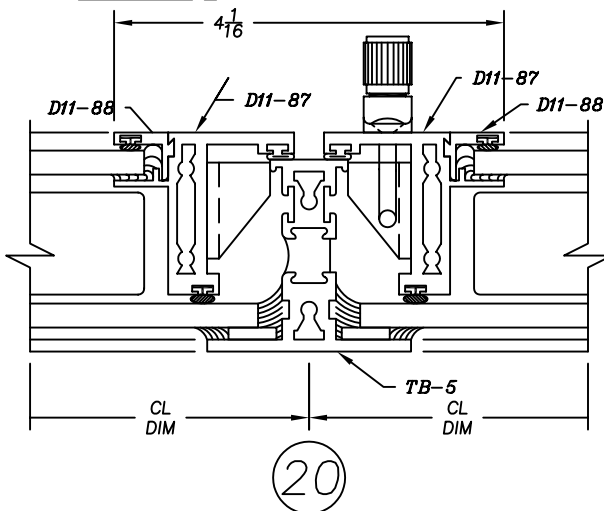
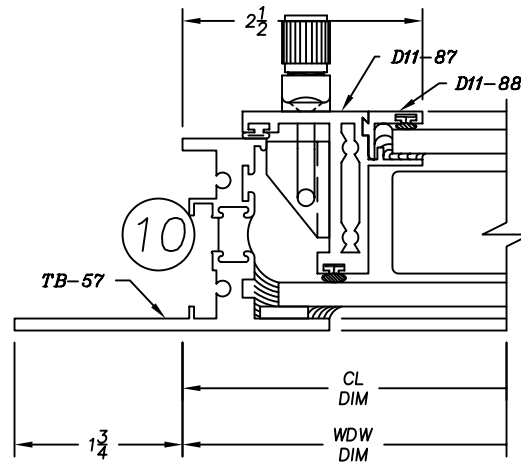
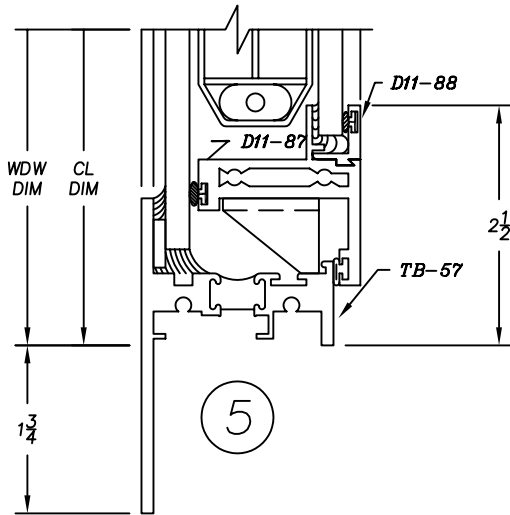
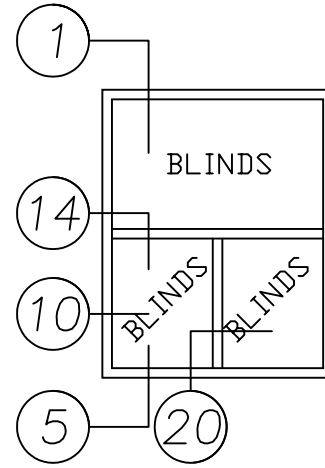
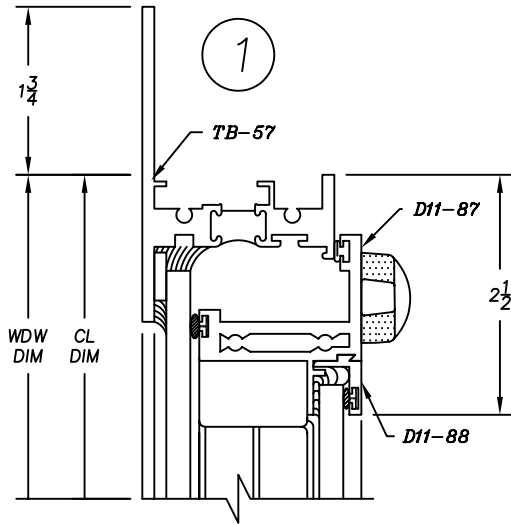
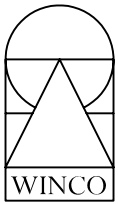


1165 Series

2" Heavy Commercial
Thermally Improved Blind Window



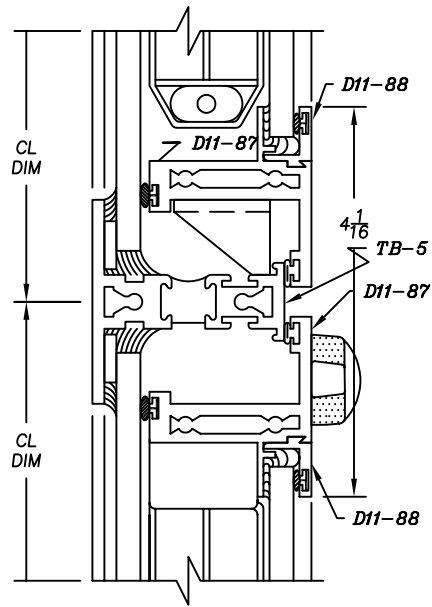
HEAVY RAIL



1165 Series

2" Heavy Commercial
Thermally Improved Blind Window

14



14

HEAVY RAIL

