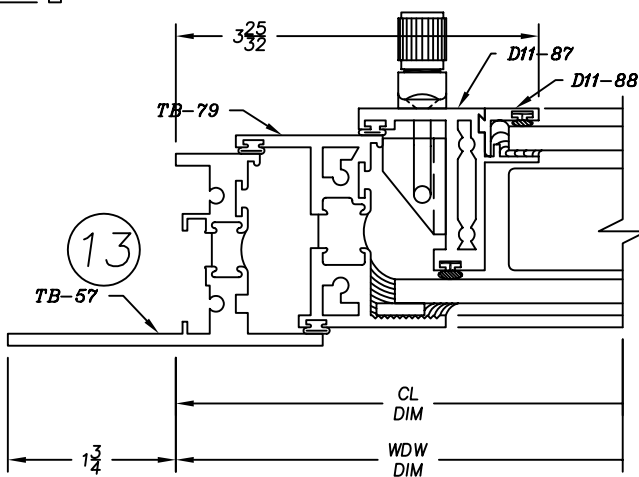
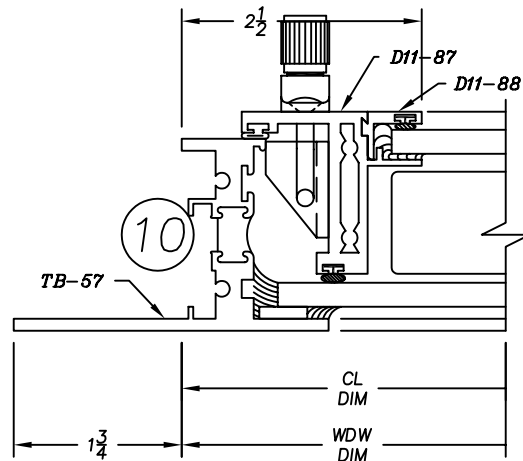
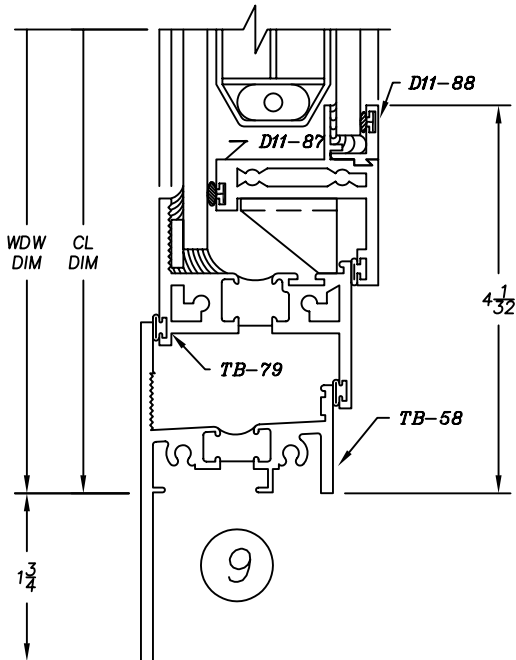
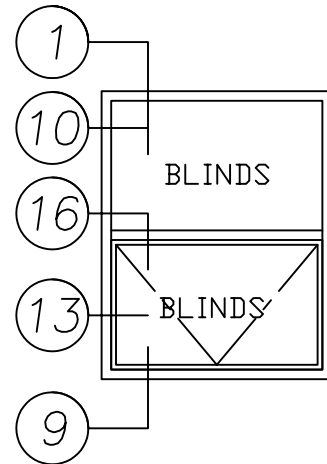
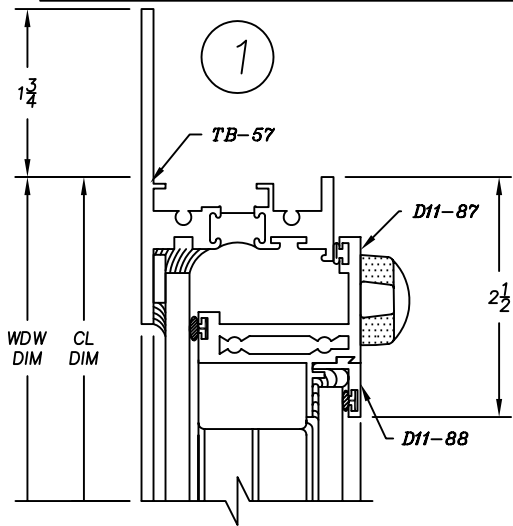
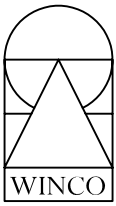


# 1165 Series

2" Heavy Commercial  
Thermally Improved Blind Window



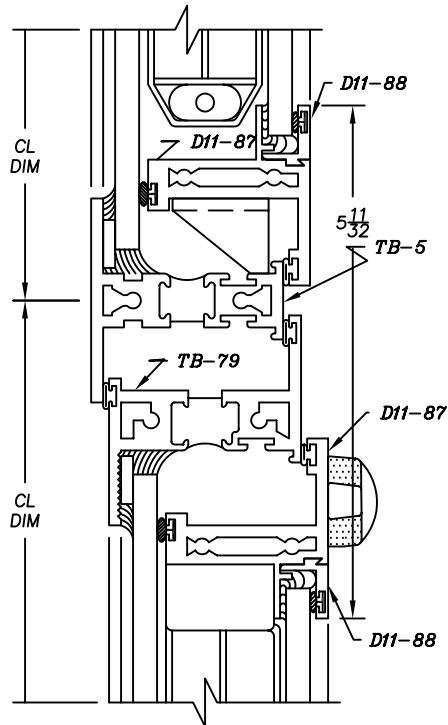


# 1165 Series

2" Heavy Commercial

Thermally Improved Blind Window

16



16

HEAVY RAIL

