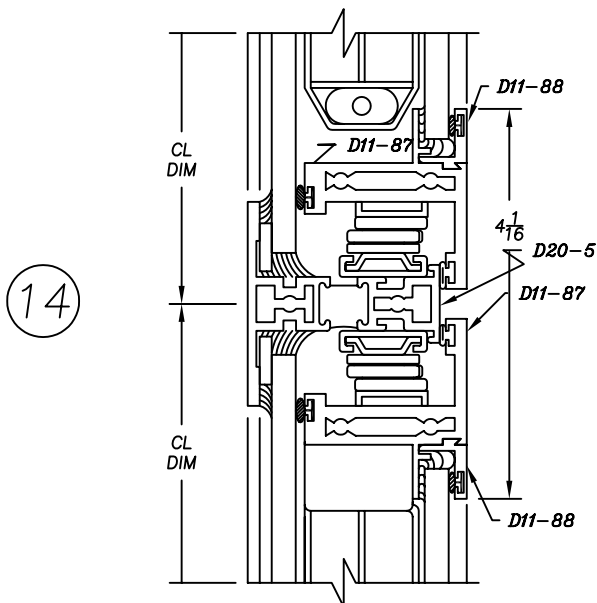
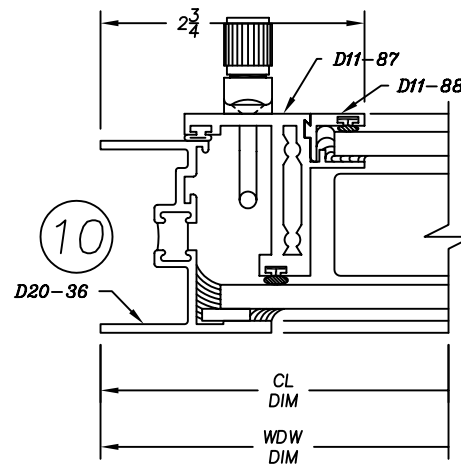
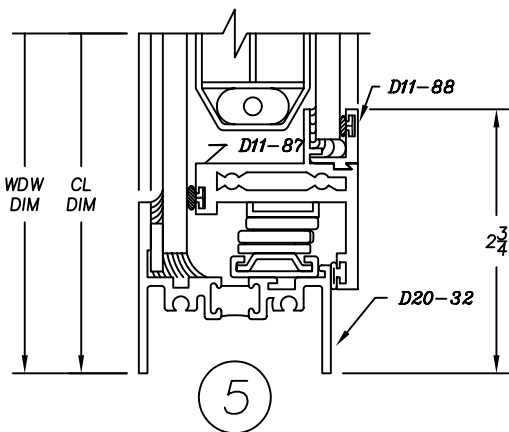
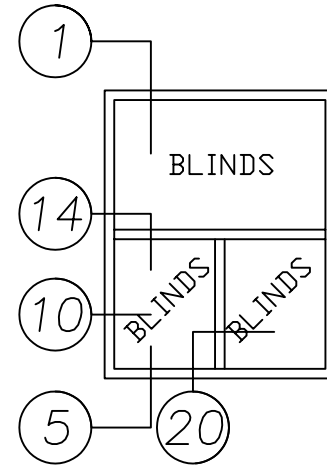
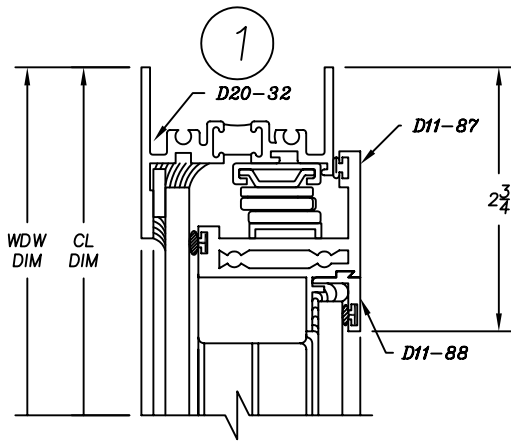
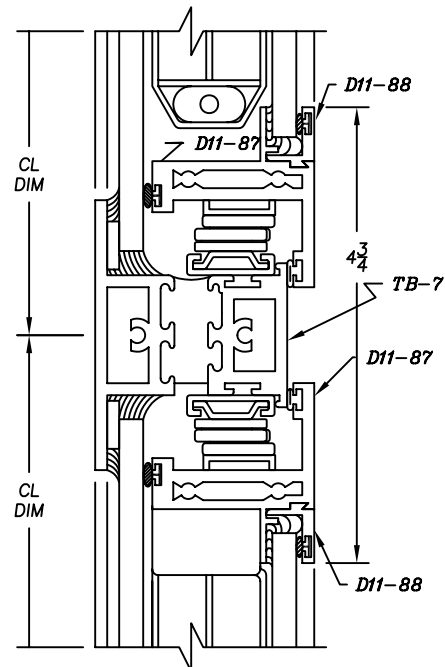


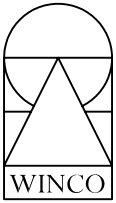
2275 Series

2" Heavy Commercial
Thermally Improved Blind Window



14
HEAVY RAIL





2275 Series

2" Heavy Commercial
Thermally Improved Blind Window

