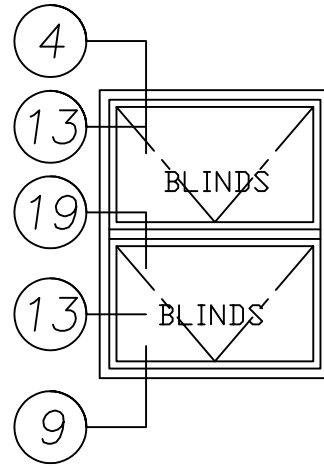
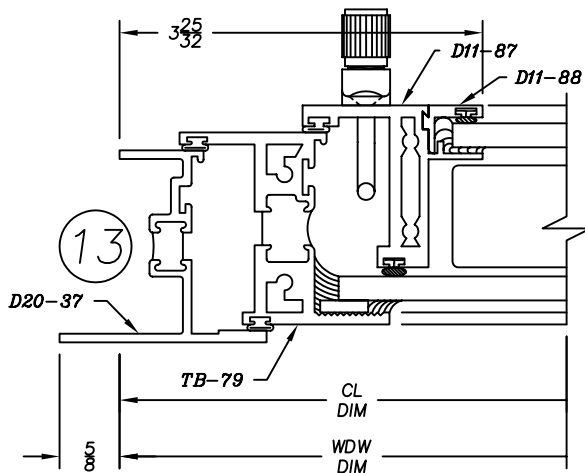
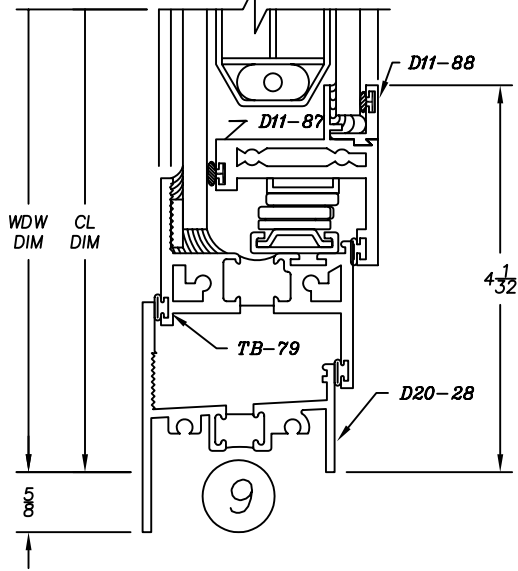
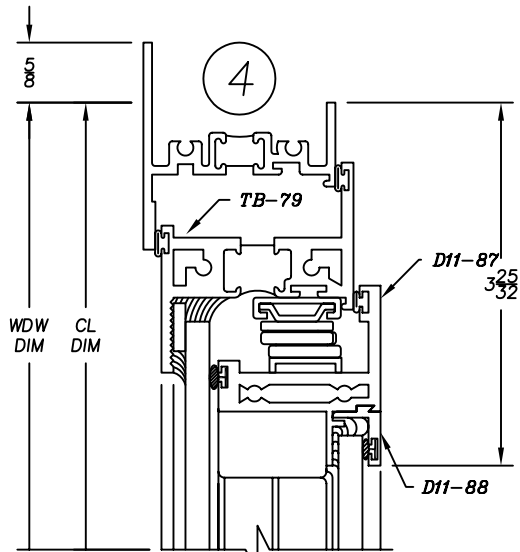


2275 Series

2" Heavy Commercial

Thermally Improved Blind Window



(19)

