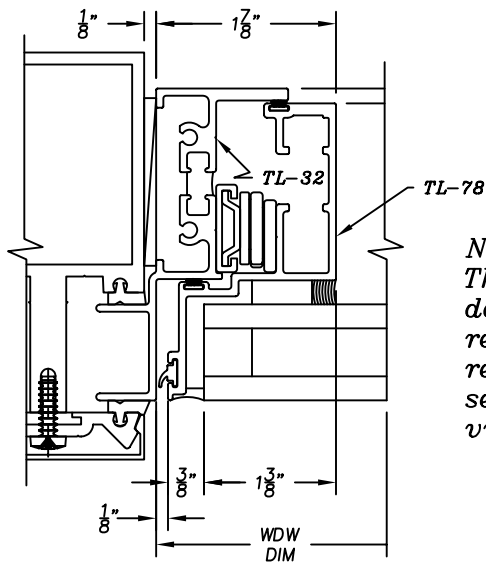
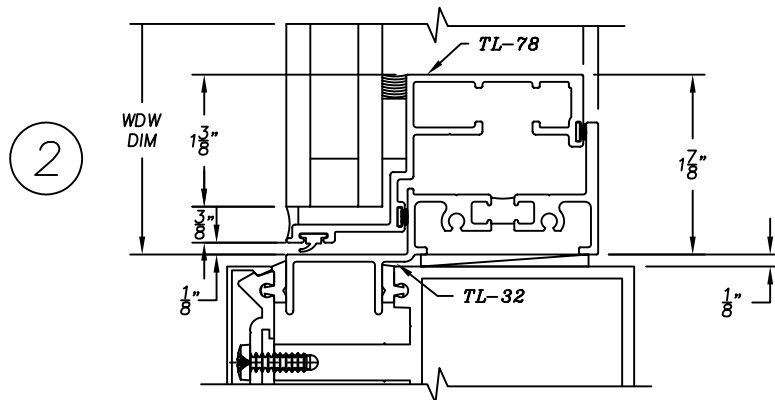
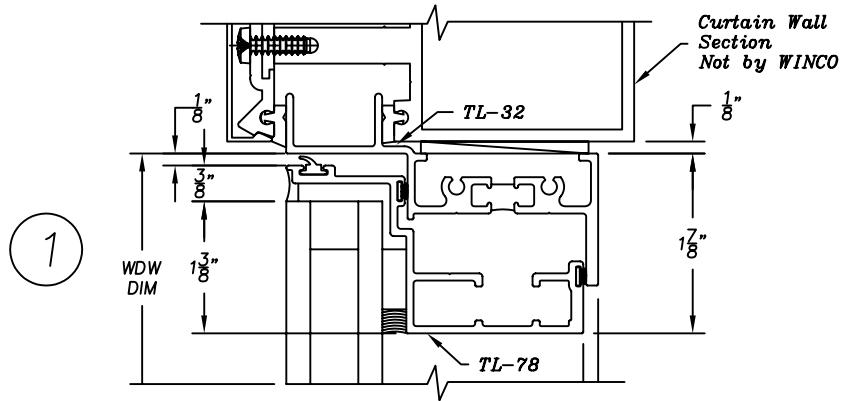


# 332 5CW Series

3-1/4" Heavy Commercial Zero Sightline

Thermally Improved Vent for Curtain Wall



Note:  
The use of tinted glass,  
dark spacer and or  
reflective glass is  
recommended. Glazing  
sealants and tapes are  
visible from the exterior.