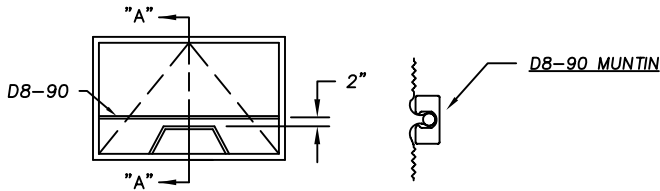


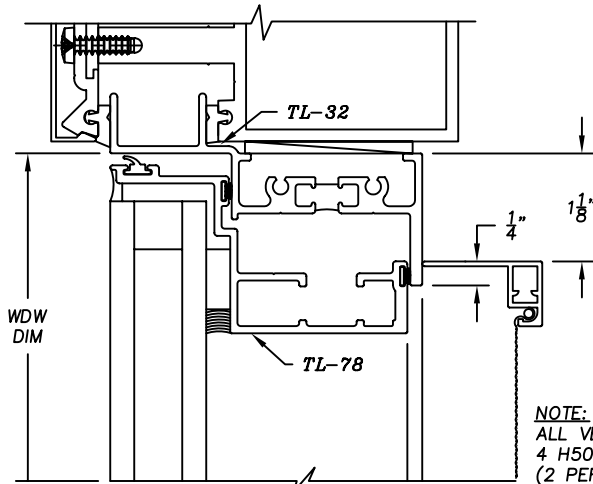
# 332 5CW Series

3-1/4" Heavy Commercial Zero Sightline  
Thermally Improved Vent for Curtain Wall

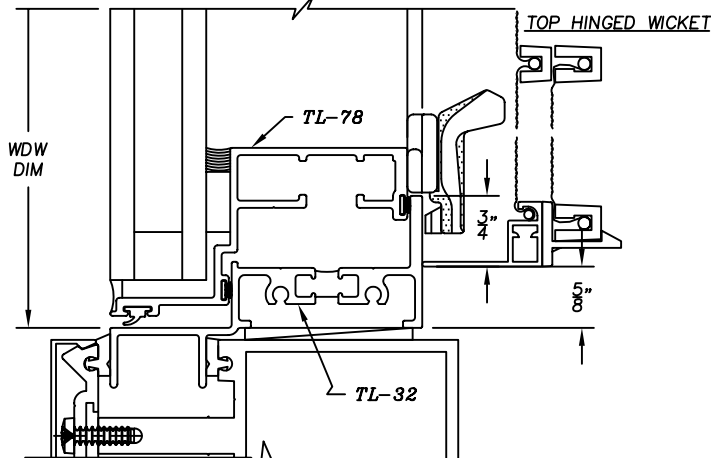
## 3325CW Series P.O. Rules



SCREEN MUNTIN WILL BE APPLIED TO ALL P.O. WICKET SCREENS FURNISHED TO SCHOOLS, AND ALSO ON ALL SCREENS PROVIDED W/FIBERGLASS SCREEN MESH.



NOTE:  
ALL VENTILATORS REQUIRE  
4 H500-29 SCREEN CLIPS  
(2 PER SIDE).



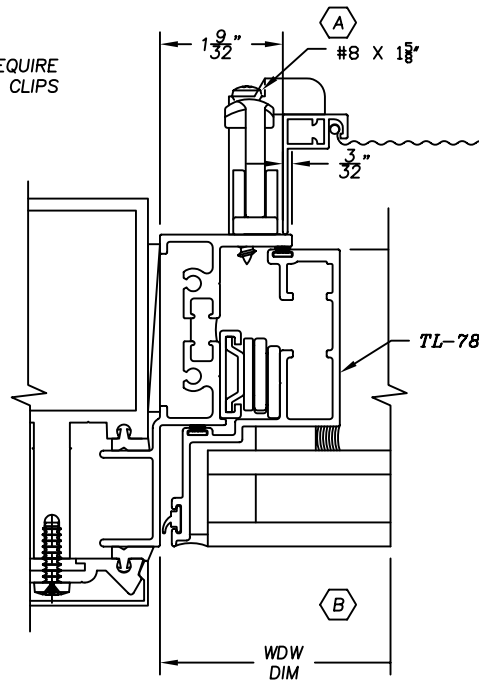
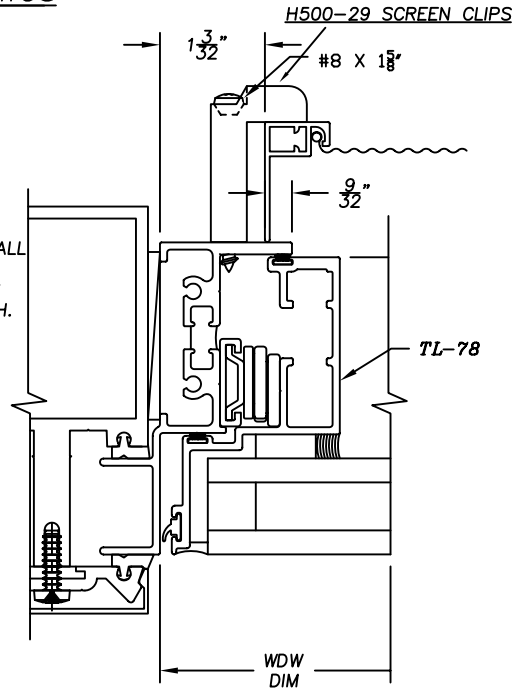
### SECTION AT "A-A"



P.O. Vent w/Cam Lock  
Width = Window - 2-3/16"  
Height = Window - 1-3/4"



P.O. Vent w/Cam Lock(Sill) & Casement Locks (Jambs)  
Width = Window - 2-9/16"  
Height = Window - 1-3/4"



Note:  
The use of tinted glass,  
dark spacer and or  
reflective glass is  
recommended. Glazing  
sealants and tapes are  
visible from the exterior.