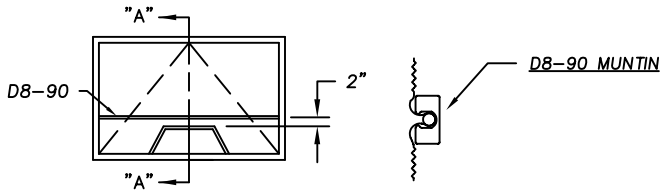


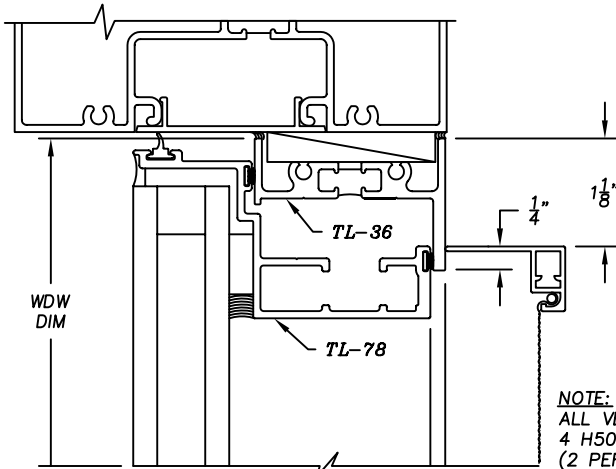
332 5SF Series

3-1/4" Heavy Commercial Zero Sightline
Thermally Improved Vent for Store Front

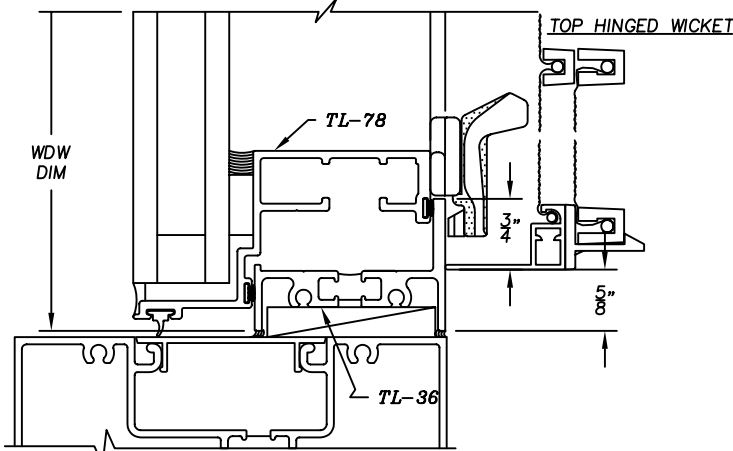
3325SF Series P.O. Rules



SCREEN MUNTIN WILL BE APPLIED TO ALL P.O. WICKET SCREENS FURNISHED TO SCHOOLS, AND ALSO ON ALL SCREENS PROVIDED W/FIBERGLASS SCREEN MESH.



NOTE:
ALL VENTILATORS REQUIRE
4 H500-29 SCREEN CLIPS
(2 PER SIDE).



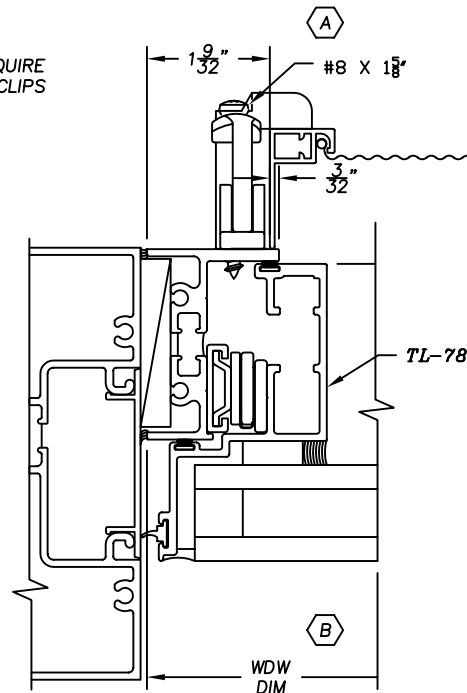
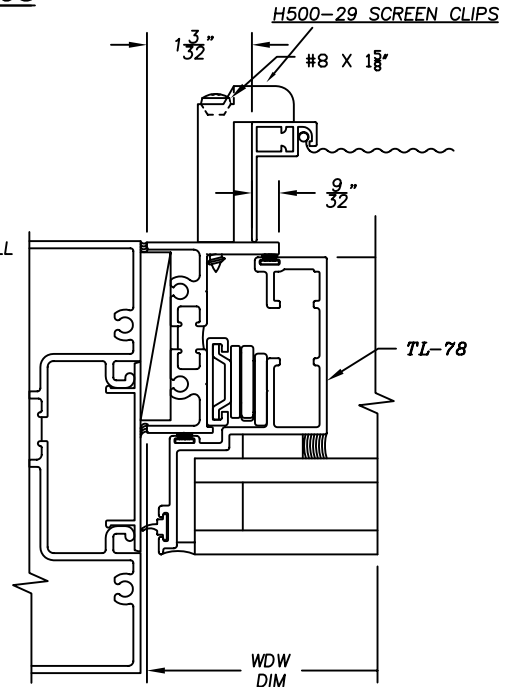
SECTION AT "A-A"



P.O. Vent w/Cam Lock
Width = Window - 2-3/16"
Height = Window - 1-3/4"



P.O. Vent w/Cam Lock(Sill) & Casement Locks (Jambs)
Width = Window - 2-9/16"
Height = Window - 1-3/4"



Note:
The use of tinted glass,
dark spacer and or
reflective glass is
recommended. Glazing
sealants and tapes are
visible from the exterior.