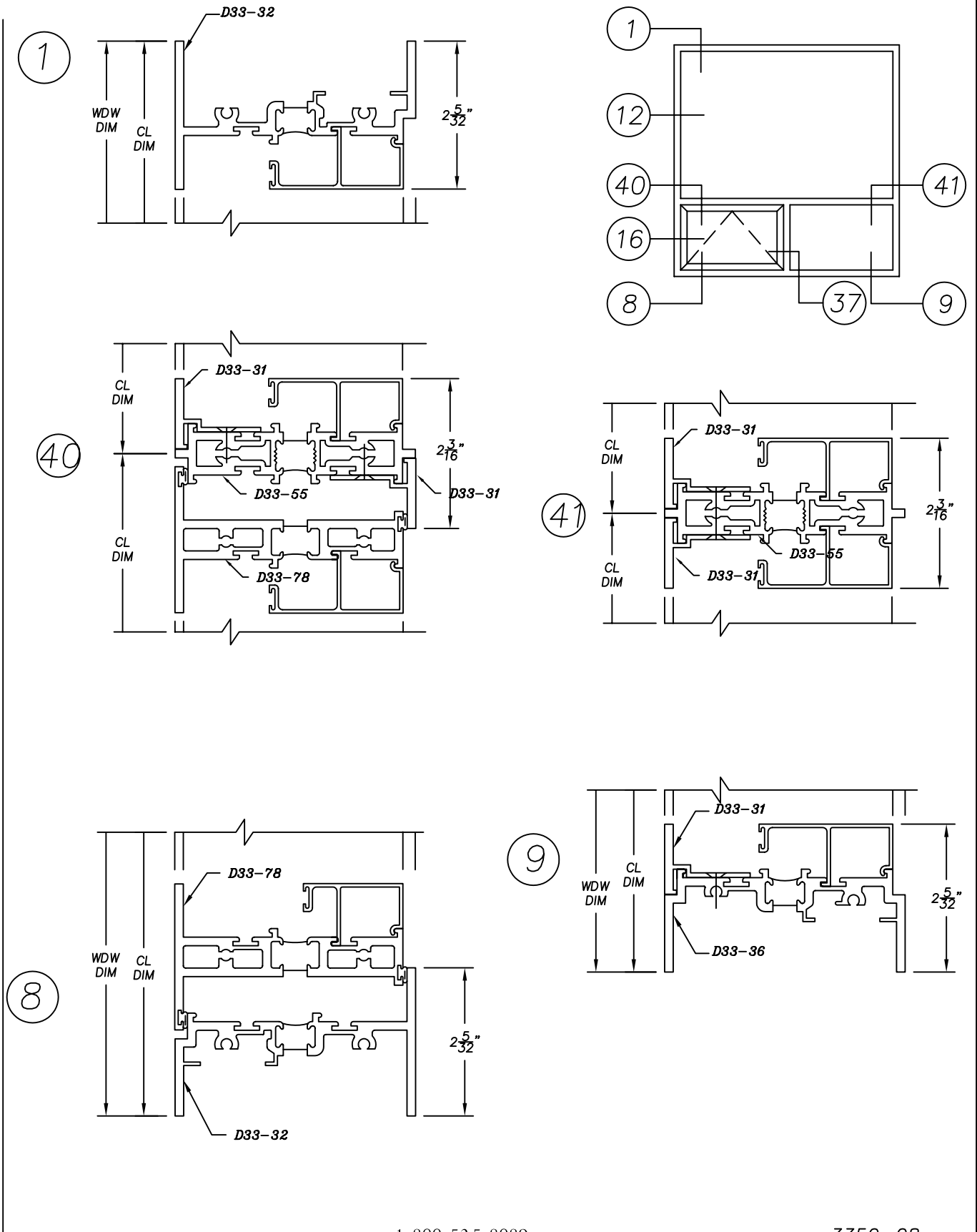
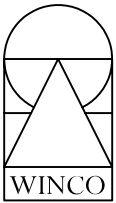


3350 Series

3-1/2" Heavy Commercial
Thermally Improved Window





3350 Series

3-1/2" Heavy Commercial

Thermally Improved Window

