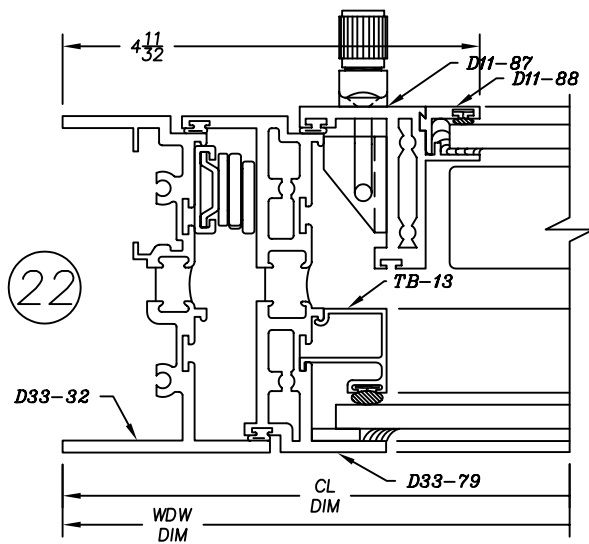
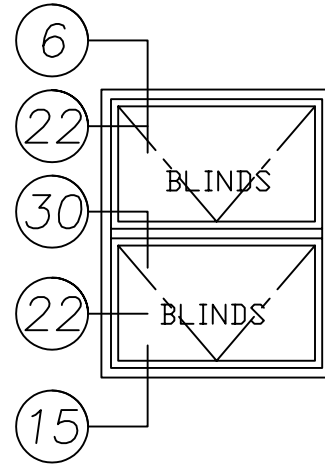
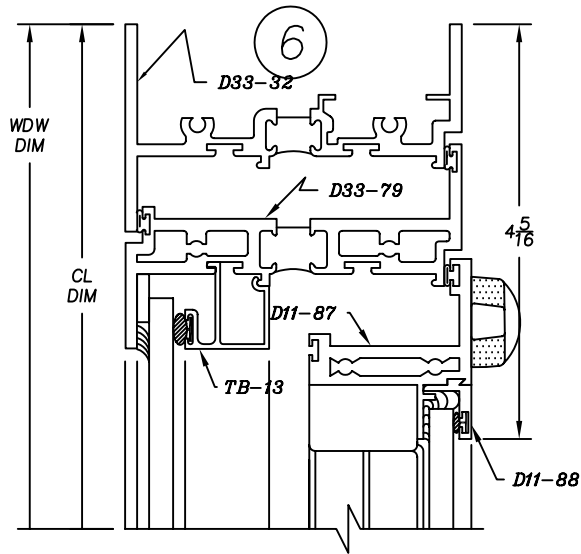
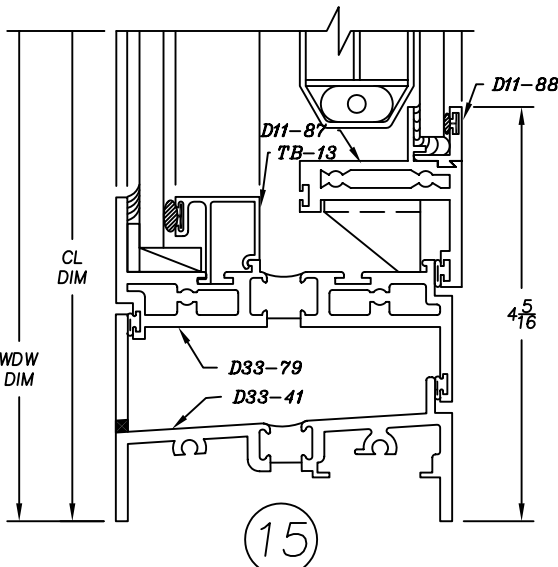
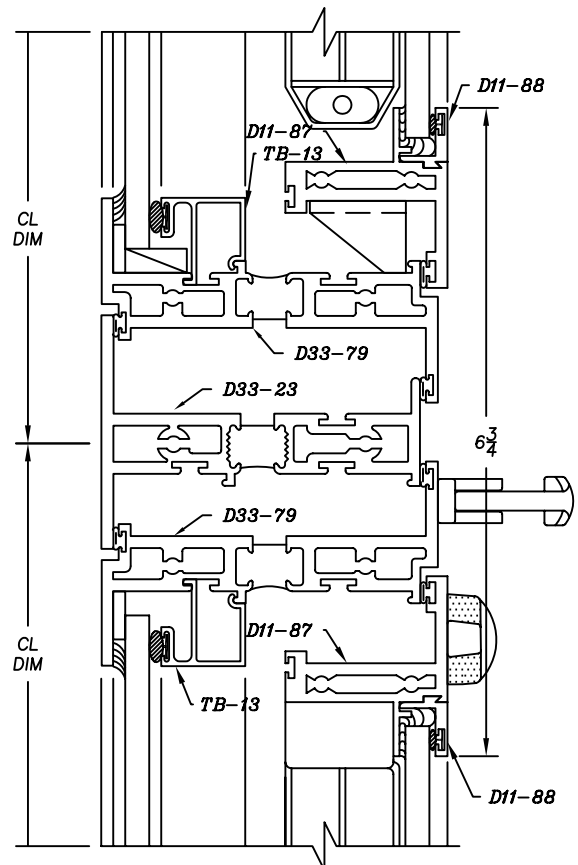


# 3365 Series

3-1/2" Heavy Commercial  
Thermally Improved Blind Window



30



15