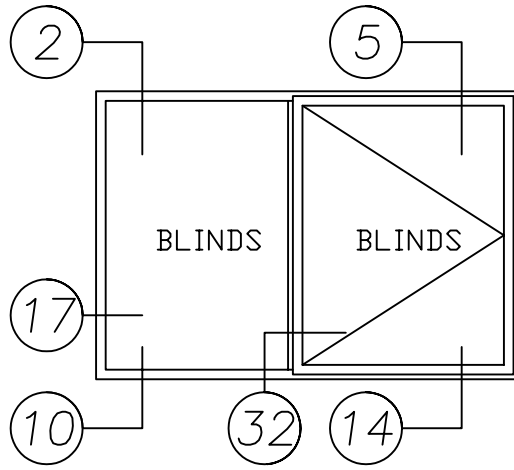
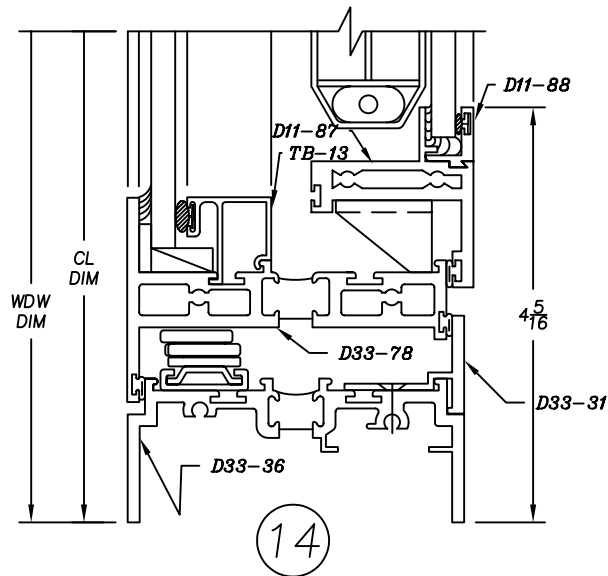
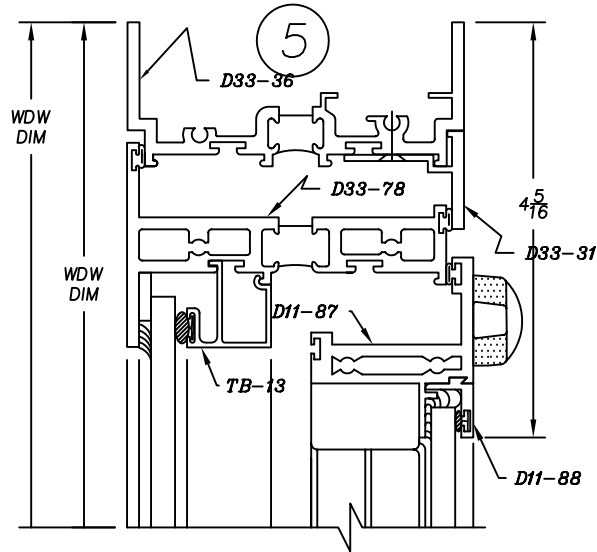
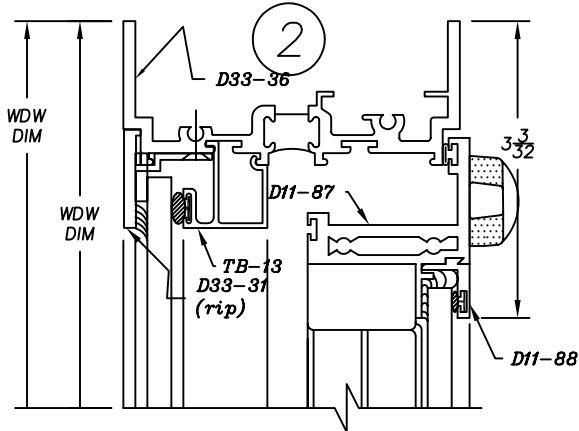


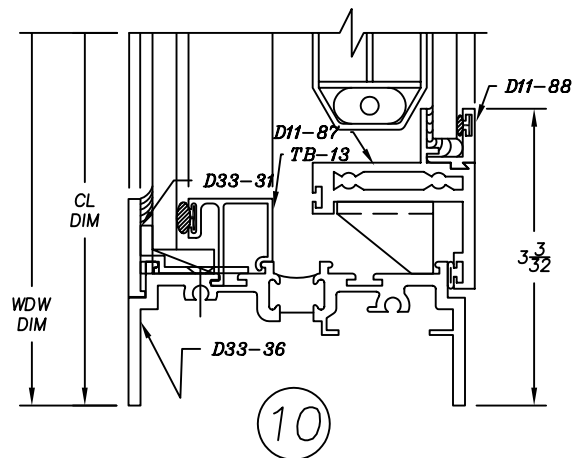
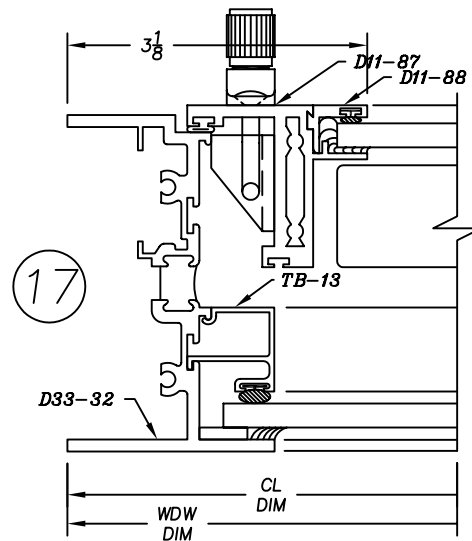
3365 Series

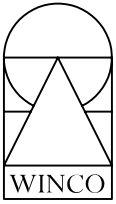
3-1/2" Heavy Commercial

Thermally Improved Blind Window



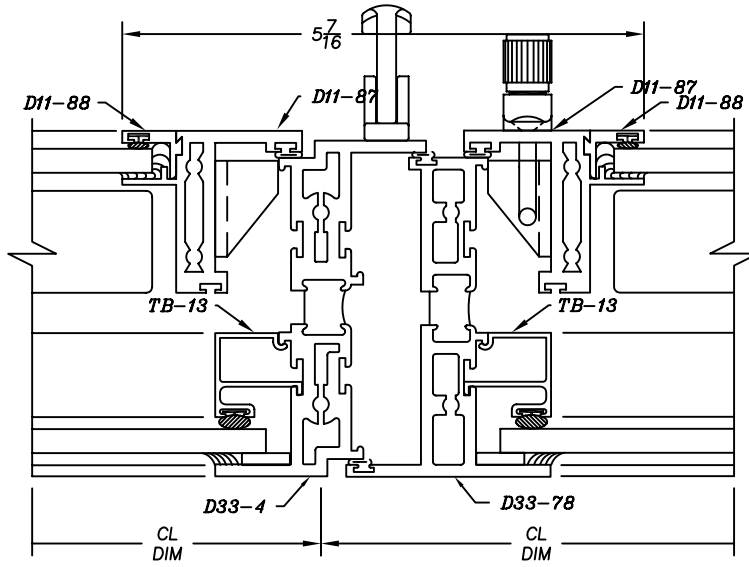
Fixed/Right Hand Out-Swing Casement





3365 Series

3-1/2" Heavy Commercial
Thermally Improved Blind Window



32