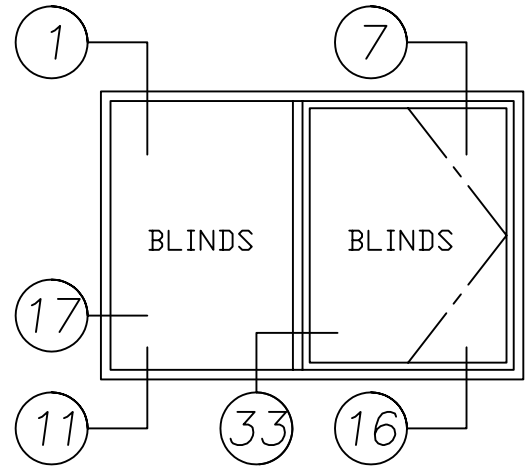
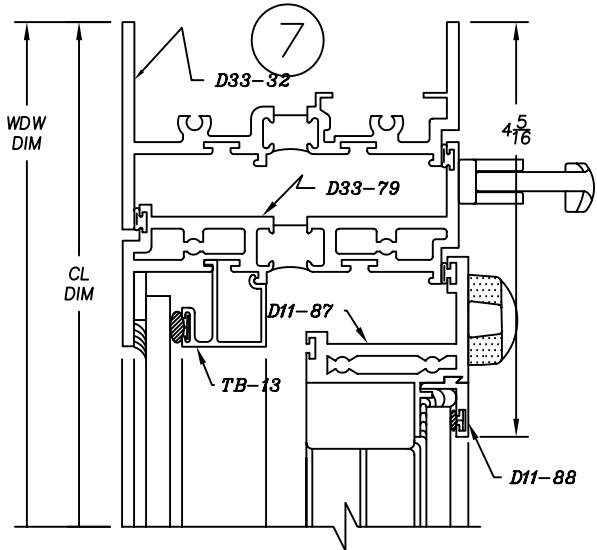
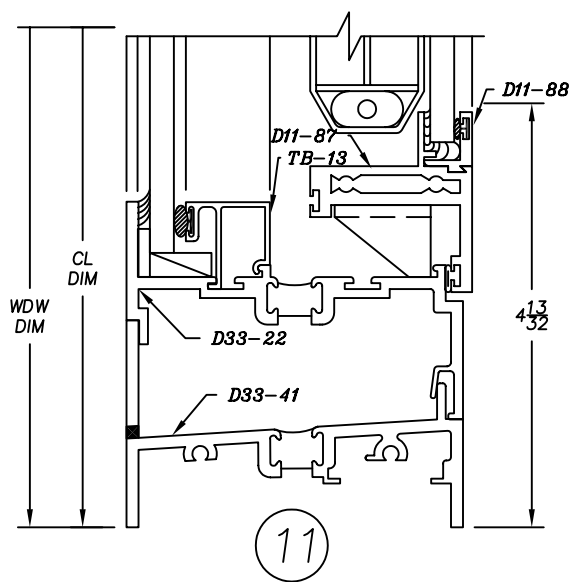
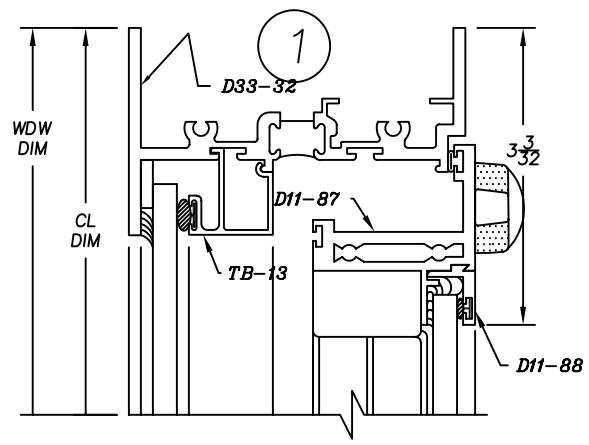
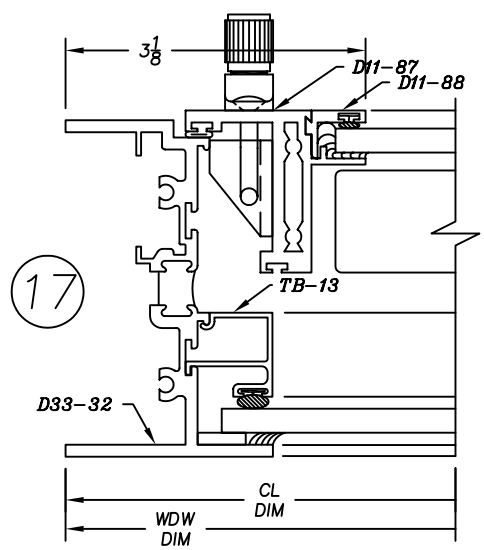
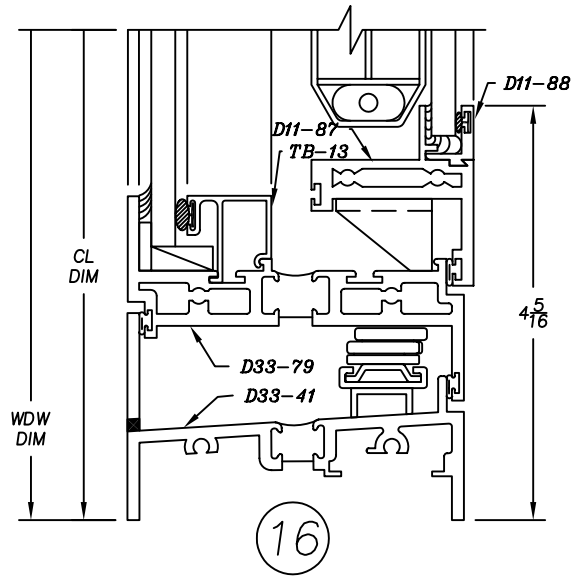


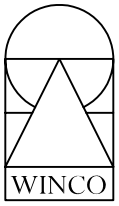
3365 Series

3-1/2" Heavy Commercial
Thermally Improved Blind Window



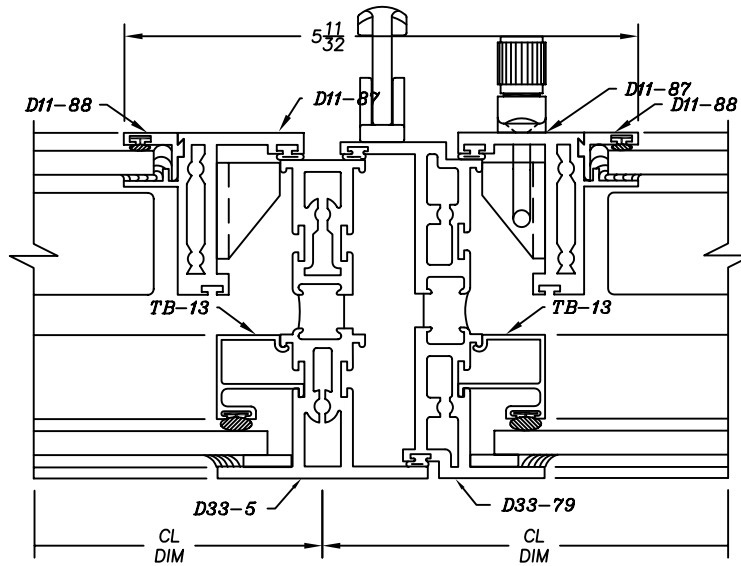
Fixed/Right Hand In-Swing Casement





3365 Series

3-1/2" Heavy Commercial
Thermally Improved Blind Window



33